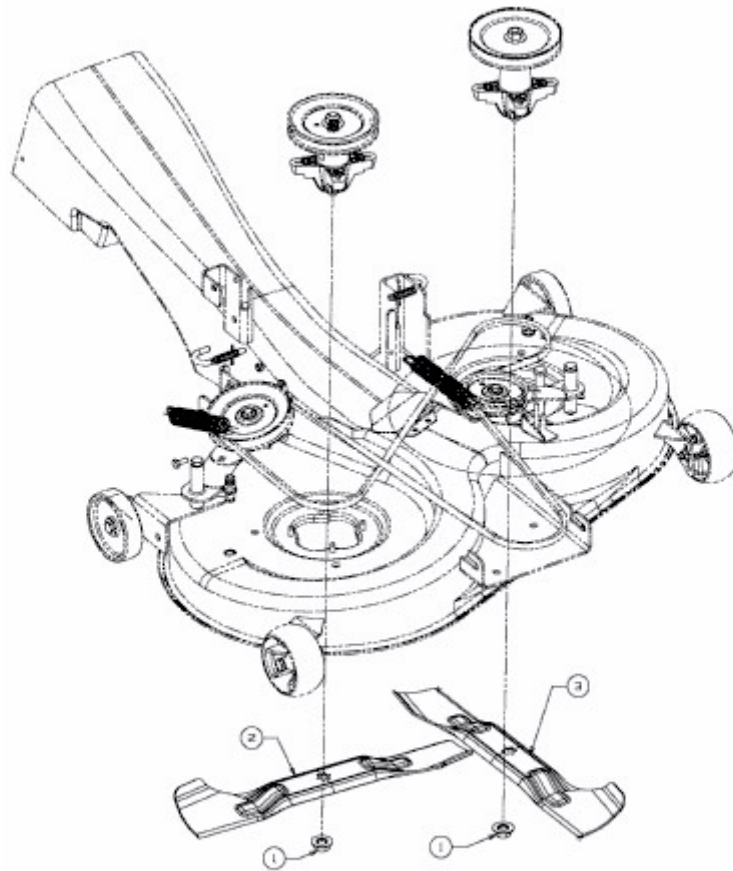


CC 1018 KHN > 13HG91AN603 (2014) > HIGH LIFT MESSER



E3-03077A-01