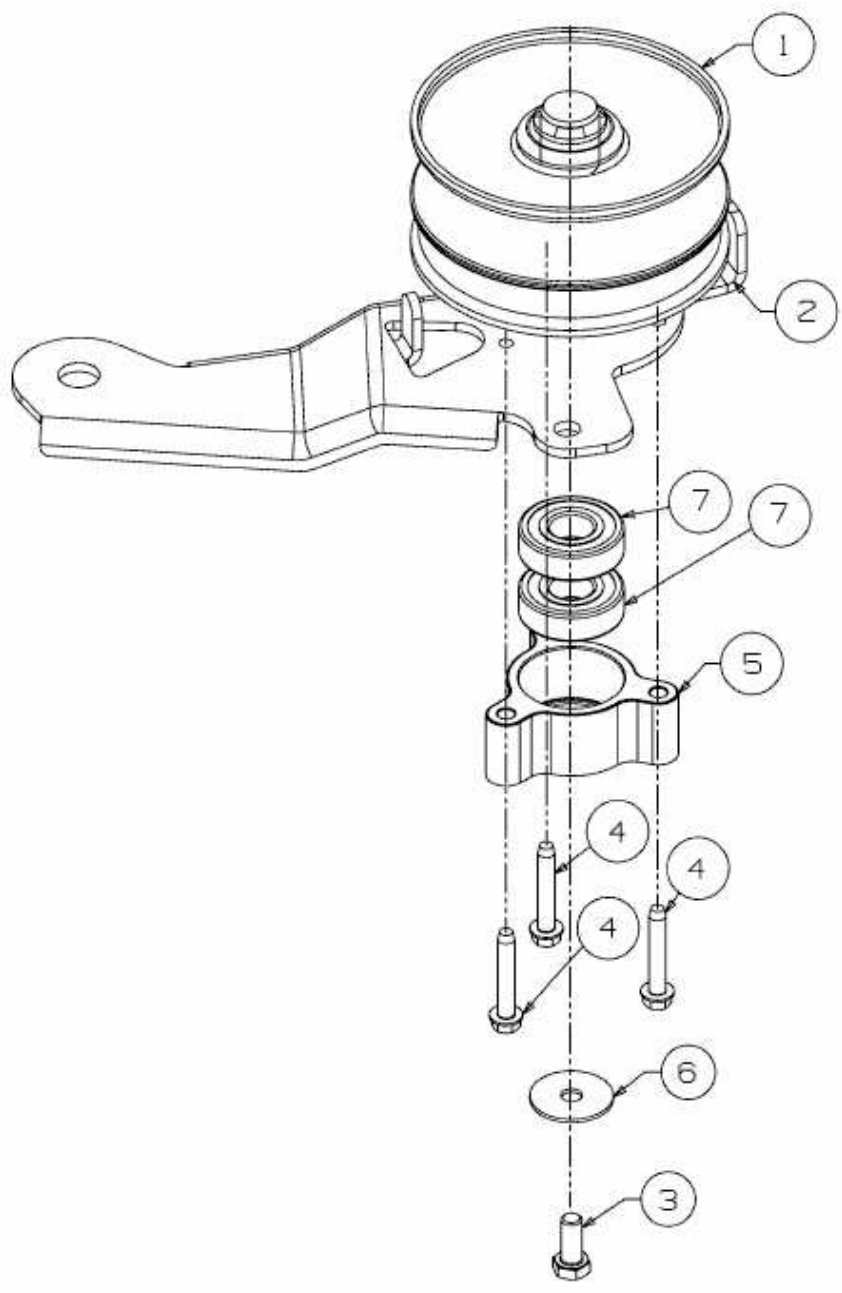


140-96 T > 13H277GF615 (2016) > VARIATOR



E3-06545E-03