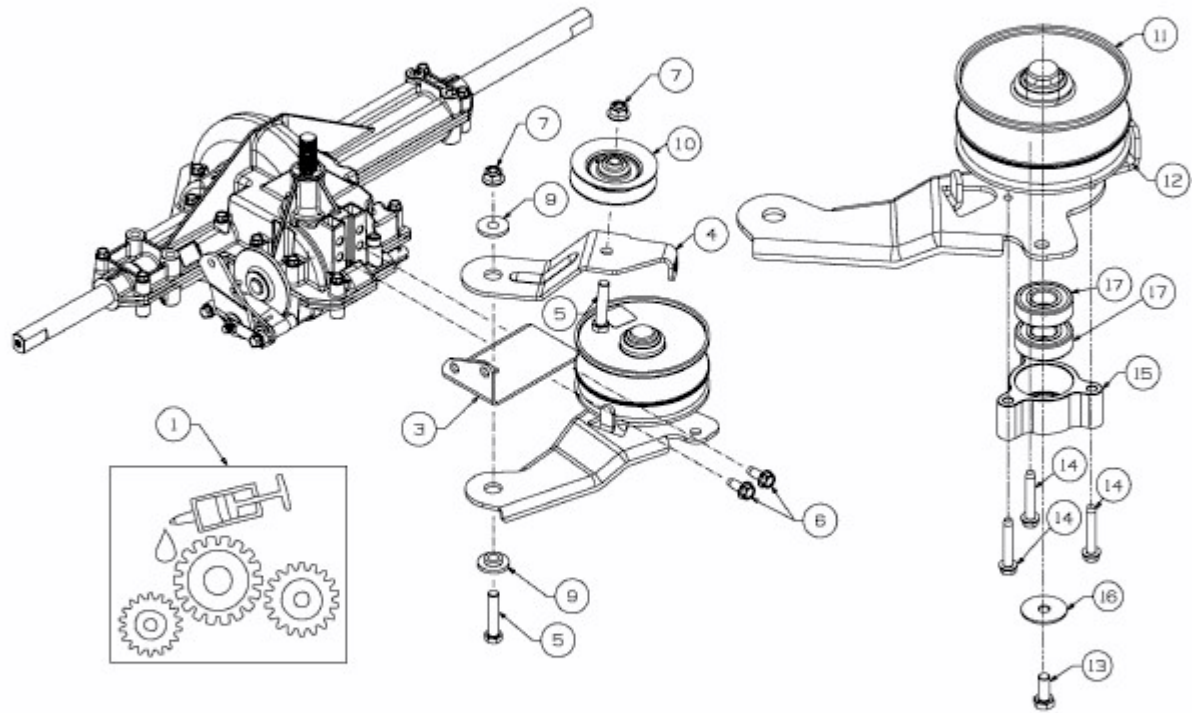


GF 140 > 13H2765F607 (2015) > VARIATOR



E3-06545D-02