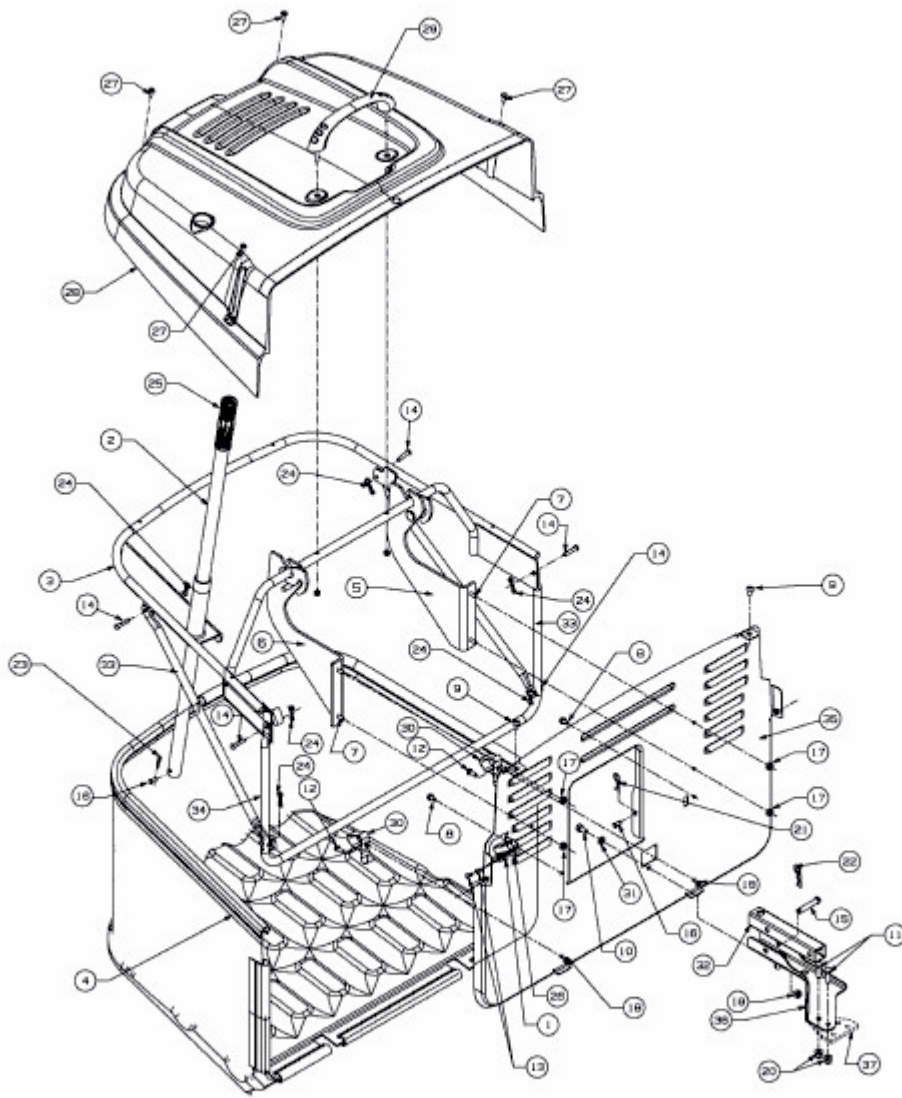


GE 140 > 13H2765E607 (2015) > GRASFANGVORRICHTUNG



E3-03879C-01