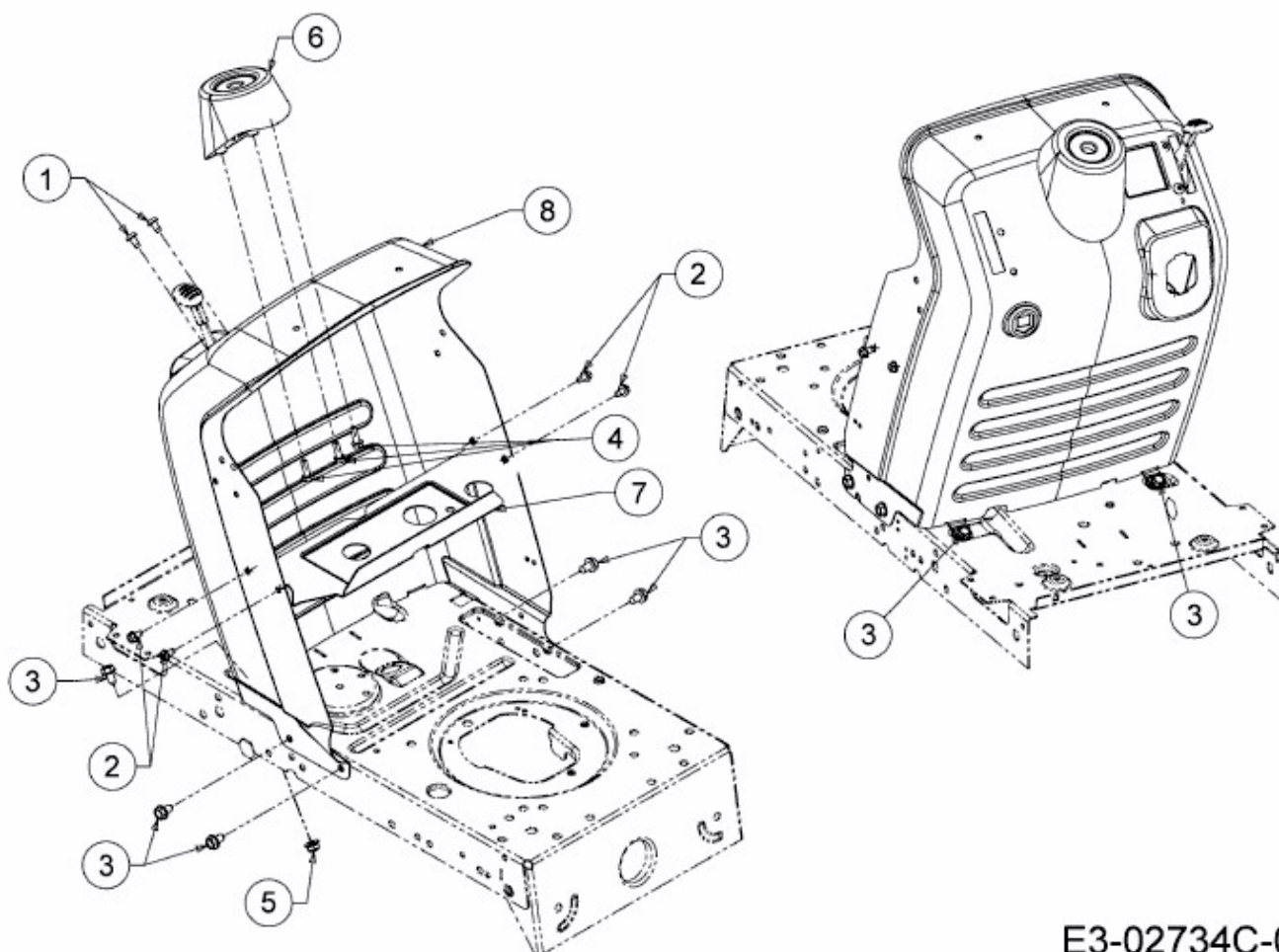


175/107 H > 13EN792G615 (2009) > ARMATURENBRETT



E3-02734C-01