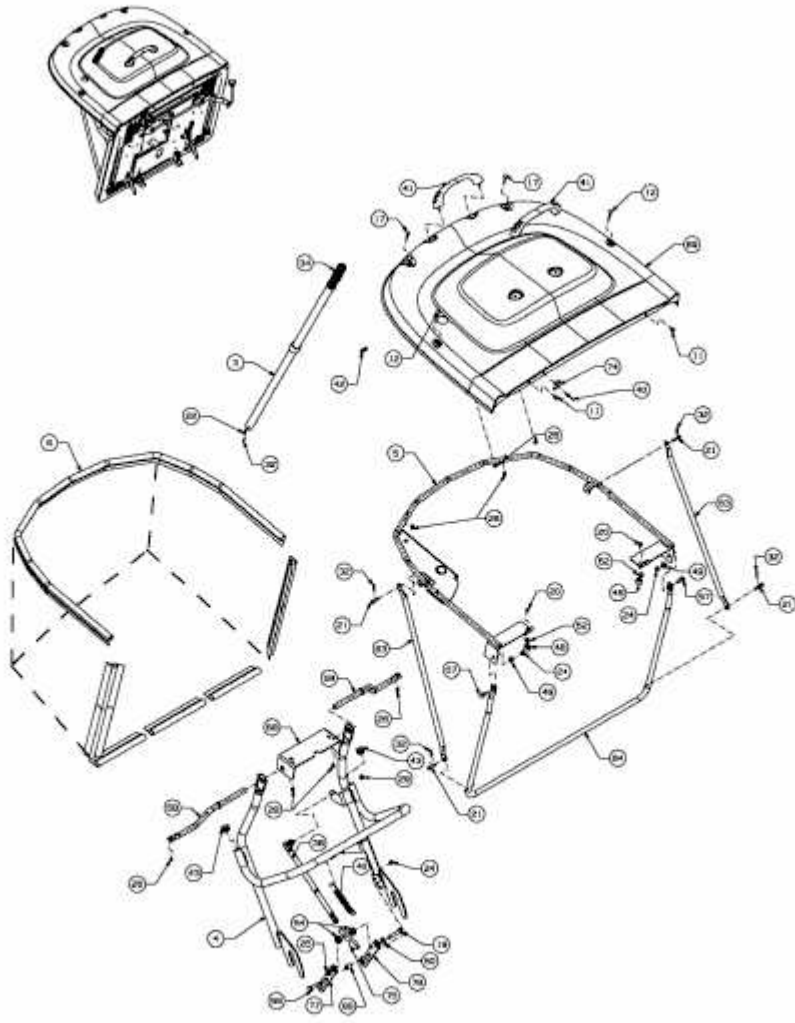


24/105 H > 13DI513N686 (2011) > GRASFANGVORRICHTUNG



E3-06673A-01