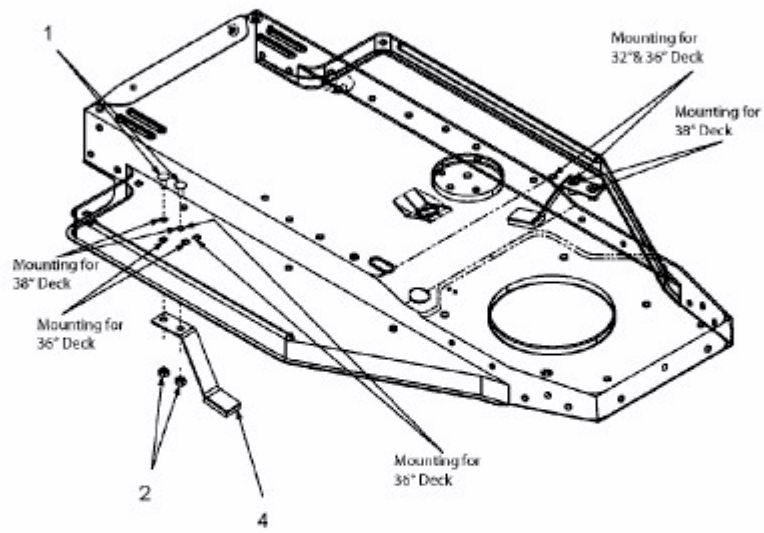


FORMULA 96 M > 13DH479F637 (2005) > MESSERBREMSE



E3-02162A-01