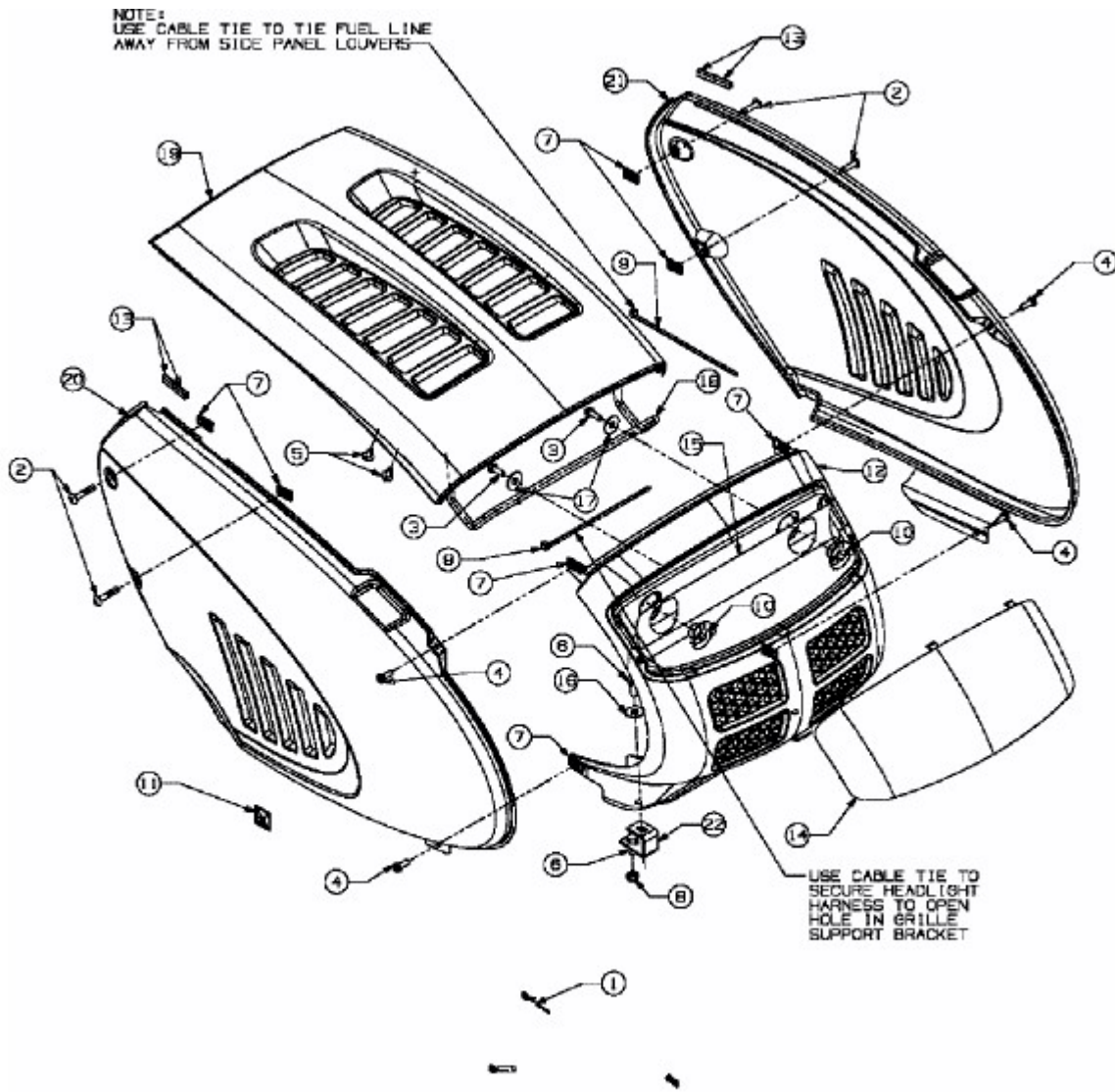


FORMULA 96 M > 13DH479F637 (2005) > MOTORHAUBE 9-STYLE



E3-02128B-01