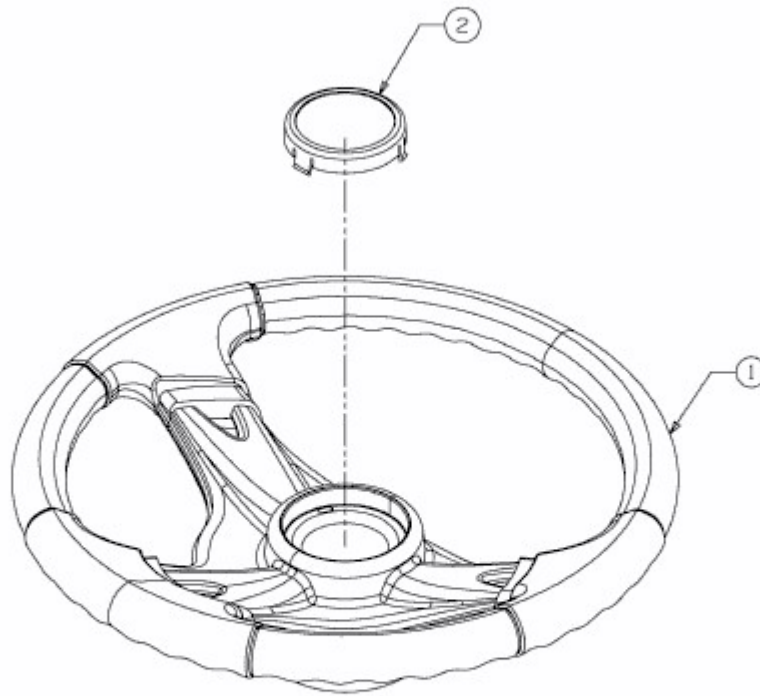


FORMULA 96 M > 13DH479F637 (2005) > LENKRAD



E3-02015A-01