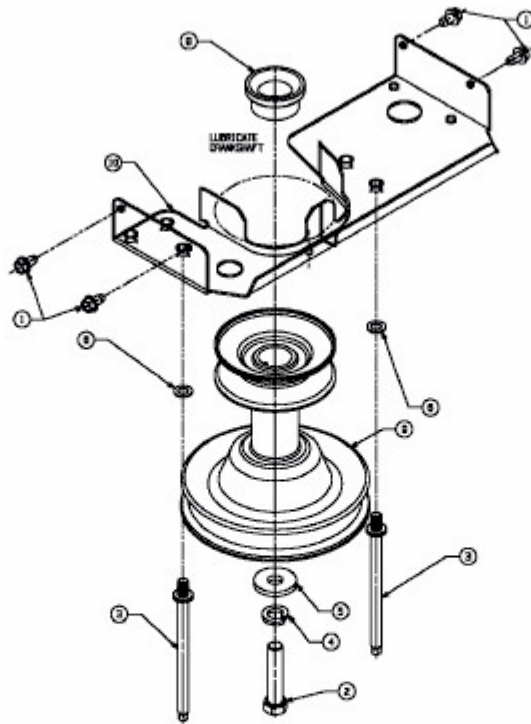


FORMULA 96 M > 13DH479F637 (2005) > MOTORKEILRIEMENSCHLEIFE



E3-02110A-01