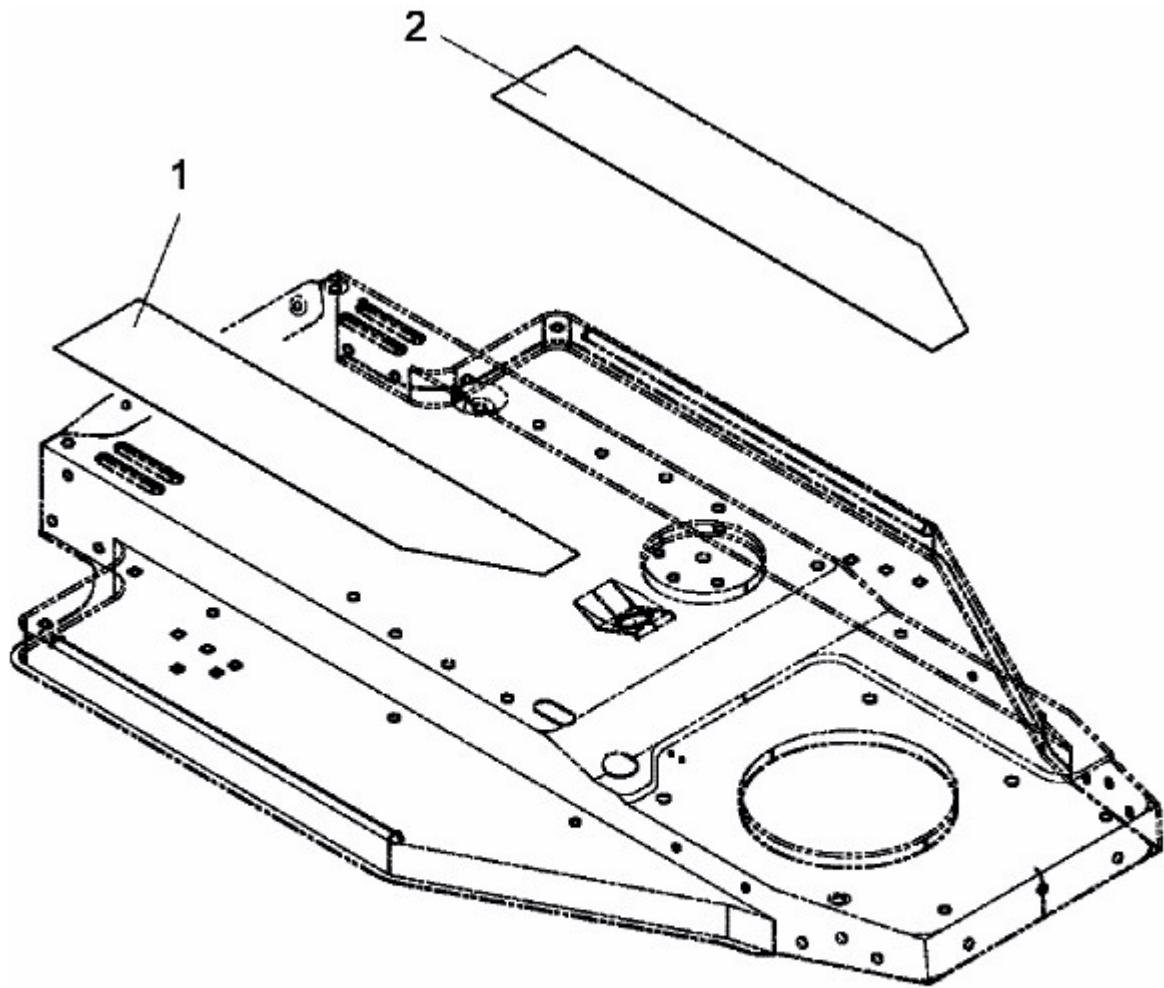


FORMULA 96 M > 13DH479F637 (2005) > TRITTBRETTBELAG



E3-02108A-01