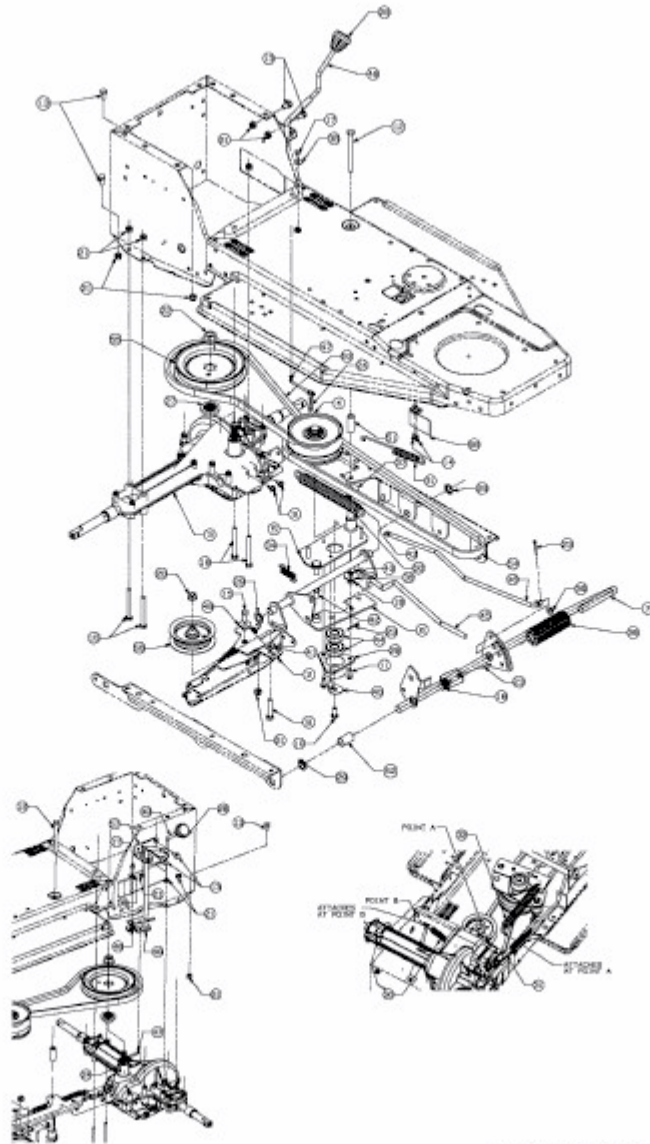


FORMULA 96 M > 13DH479F637 (2005) > FAHRANTRIEB



E3-02099A-01