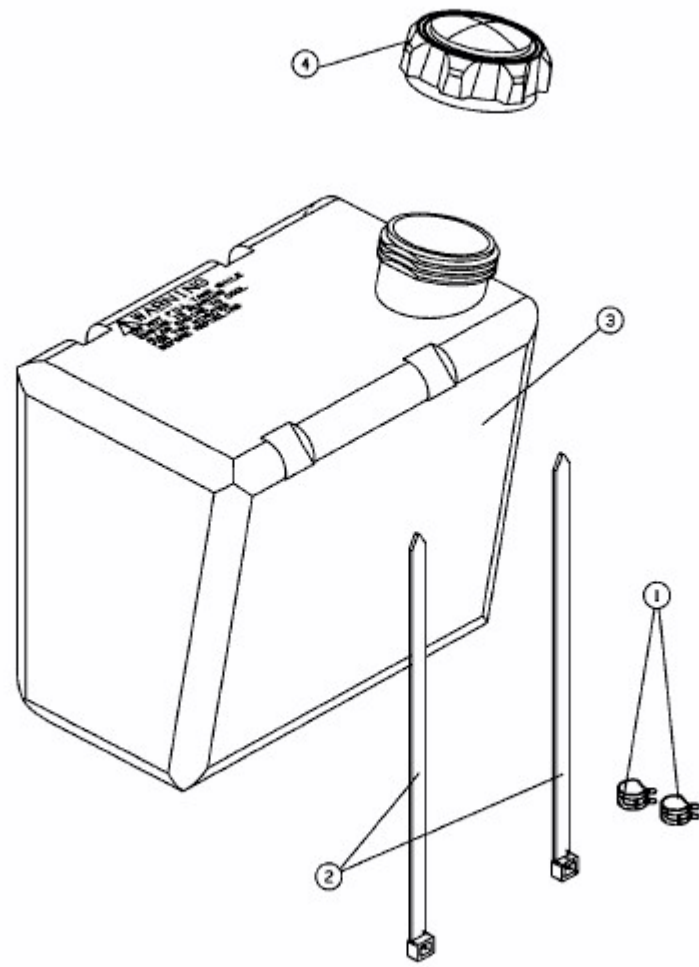


EP 135/96 > 13DH479F408 (2007) > TANK



E3-02129A-01