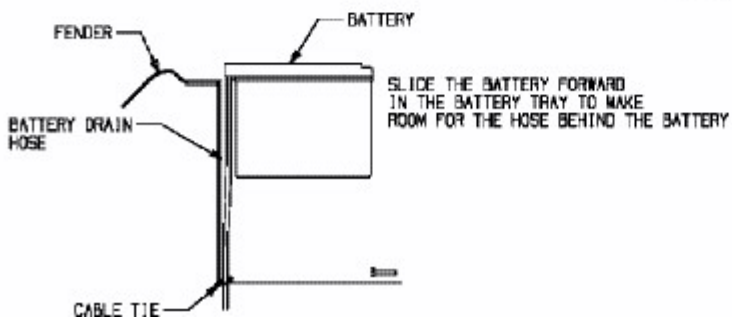
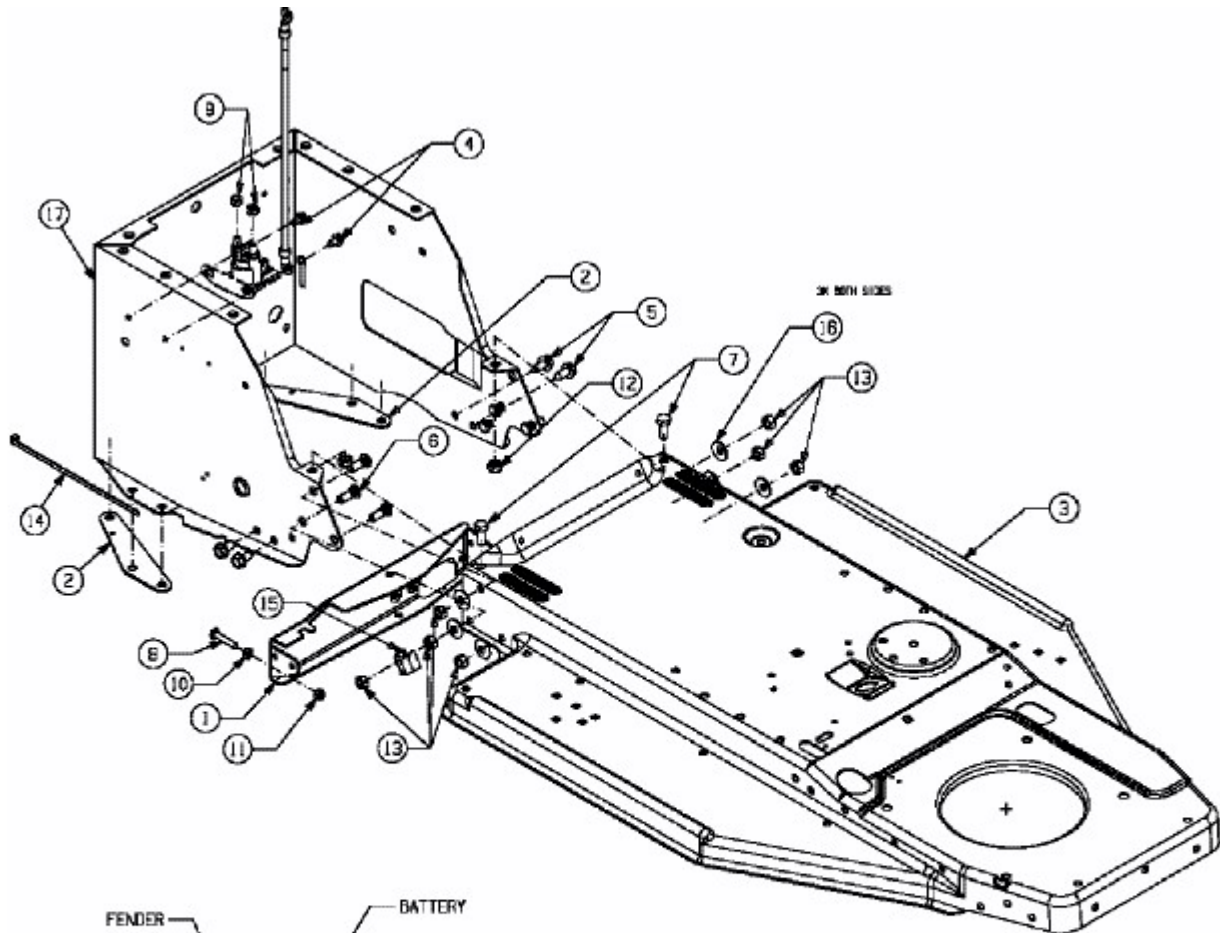


EP 135/96 > 13DH479F408 (2006) > RAHMEN



E3-02094B-01