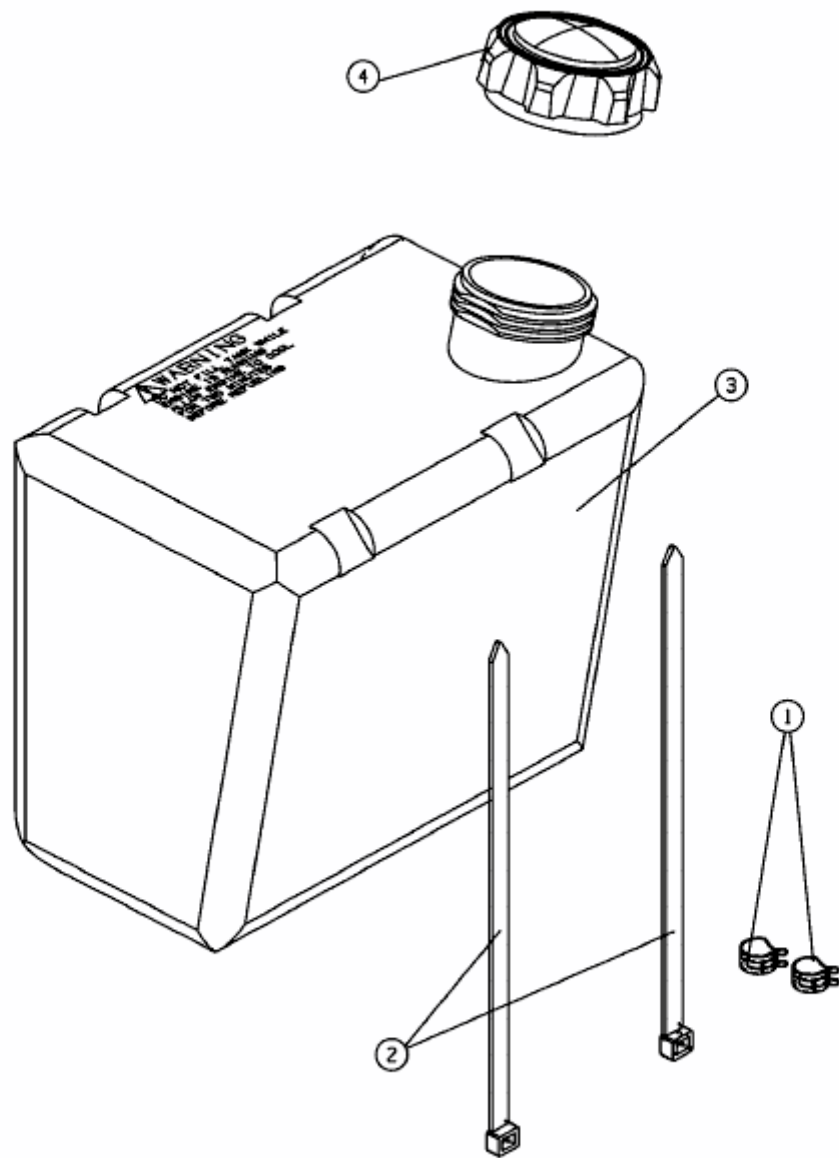


603 > 13DH479C611 (2006) > TANK



E3-02129A-01