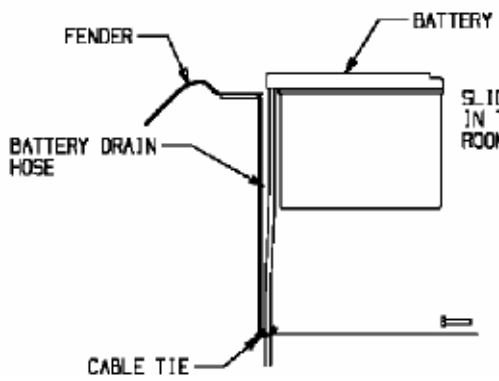
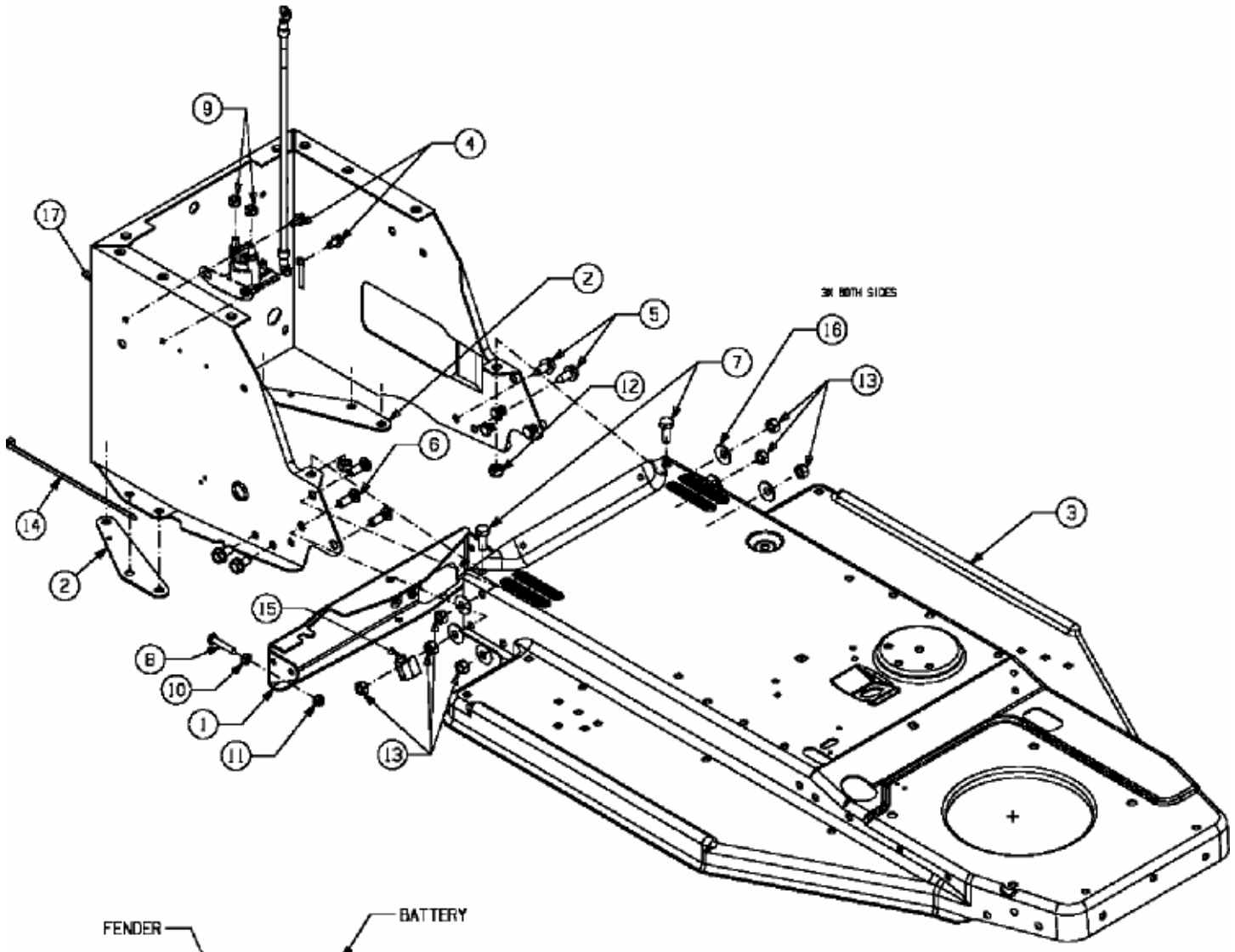


TA 4135 > 13DH474A643 (2007) > RAHMEN



SLIDE THE BATTERY FORWARD  
IN THE BATTERY TRAY TO MAKE  
ROOM FOR THE HOSE BEHIND THE BATTERY

E3-02094B-01