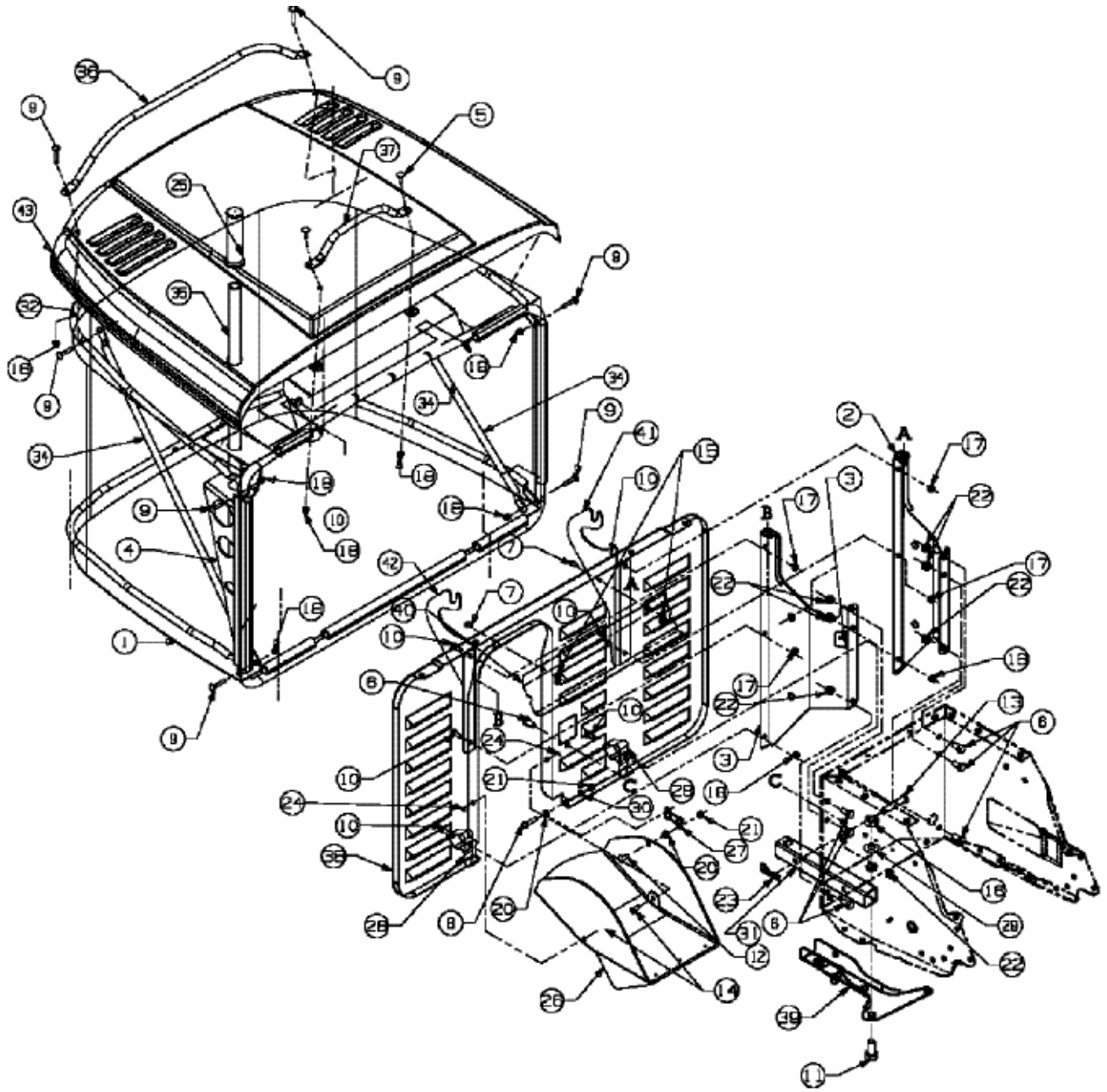


TA 4135 > 13DH474A643 (2006) > GRASFANGSACK



E3-02155C-01