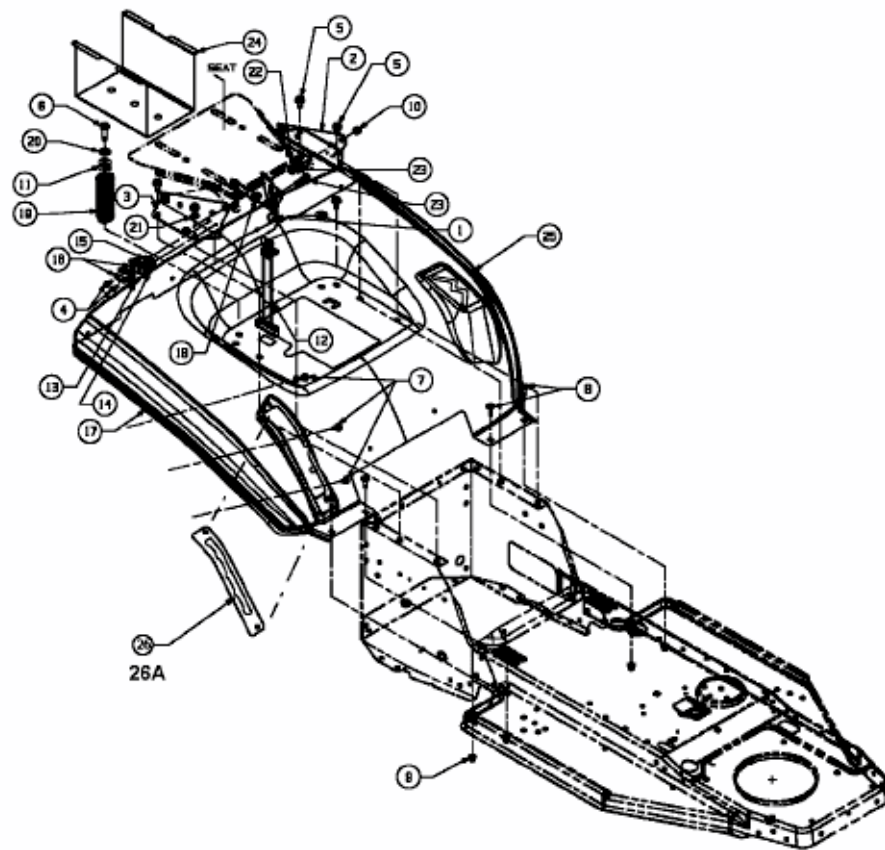


TA 4135 > 13DH474A443 (2007) > SITZWANNE



E3-02097A-01