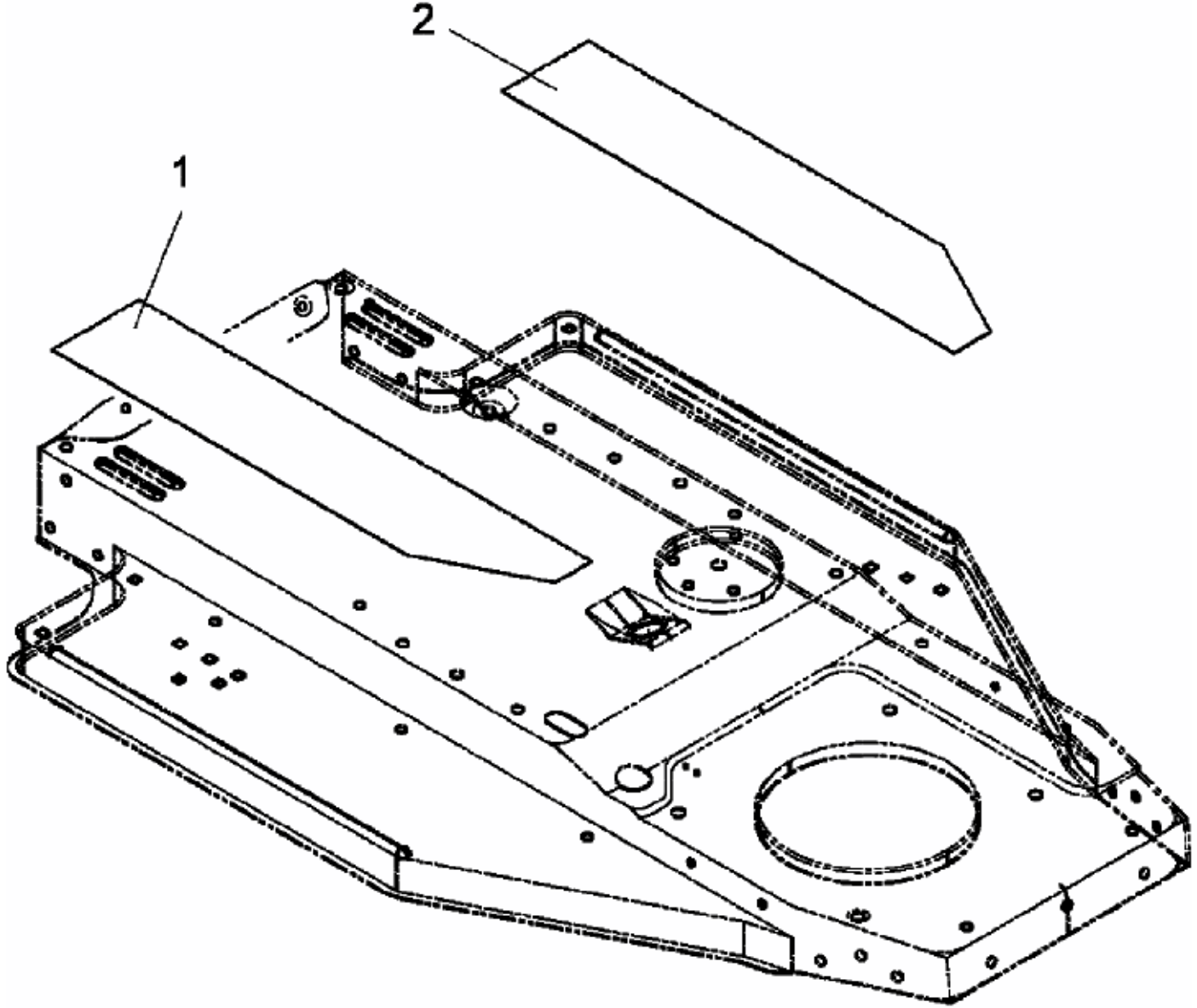


TE 4125 > 13DH473E643 (2006) > TRITTBRETTBELAG



E3-02108A-01