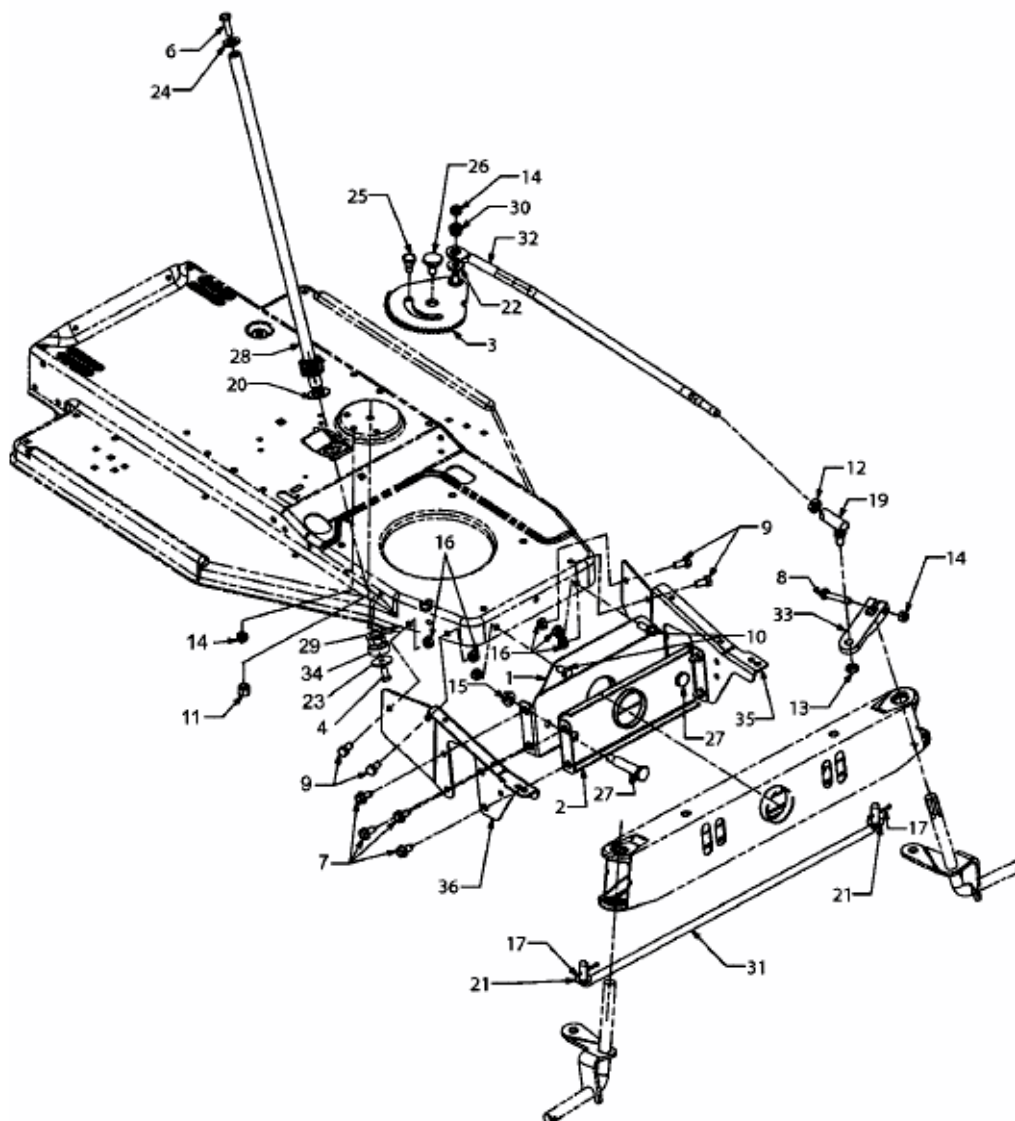


TE 4125 > 13DH473E643 (2006) > LENKUNG



E3-02105A-01