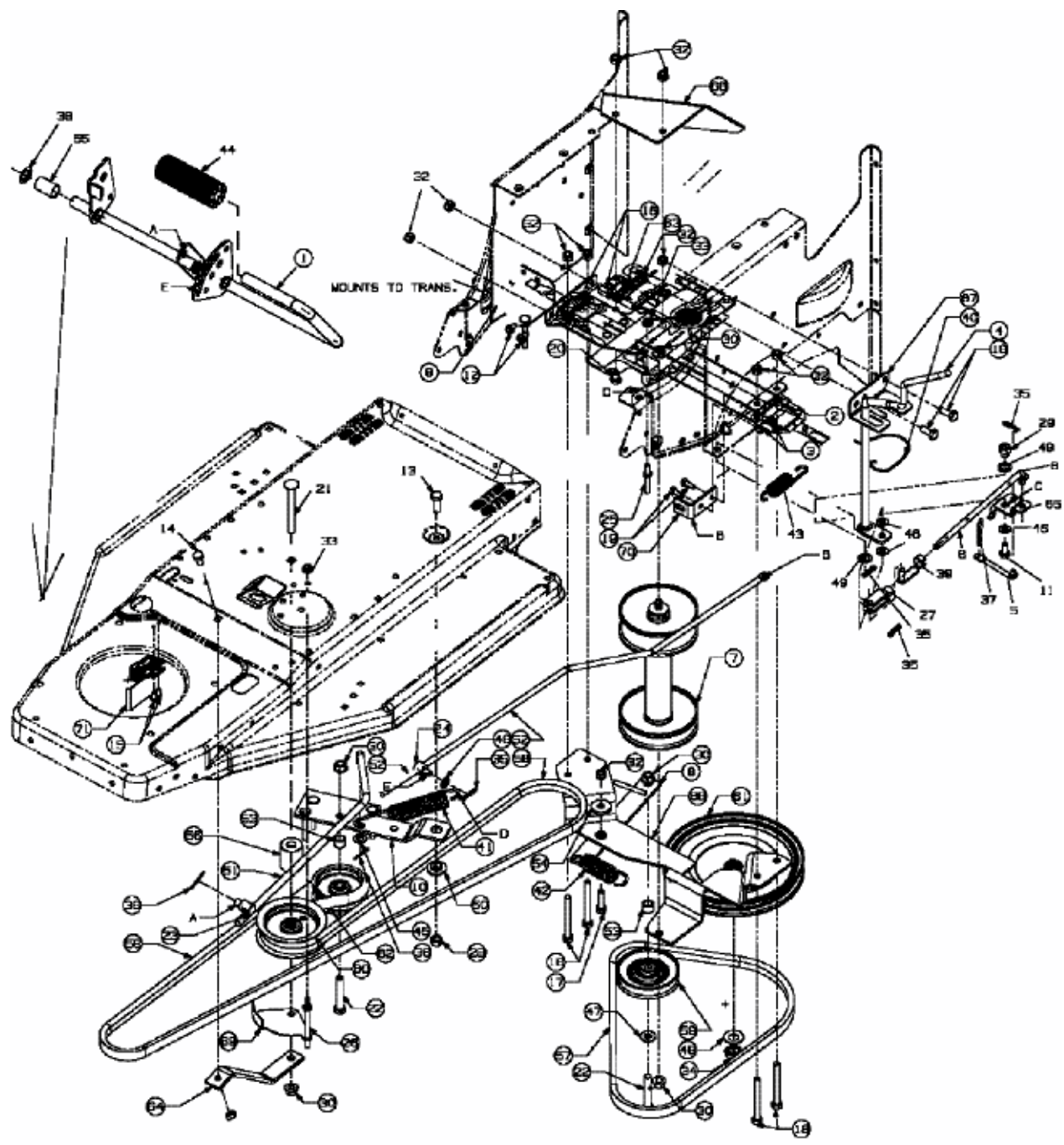


TE 4125 > 13DH473E643 (2006) > FAHRANTRIEB, PEDALE



E3-02100B-01