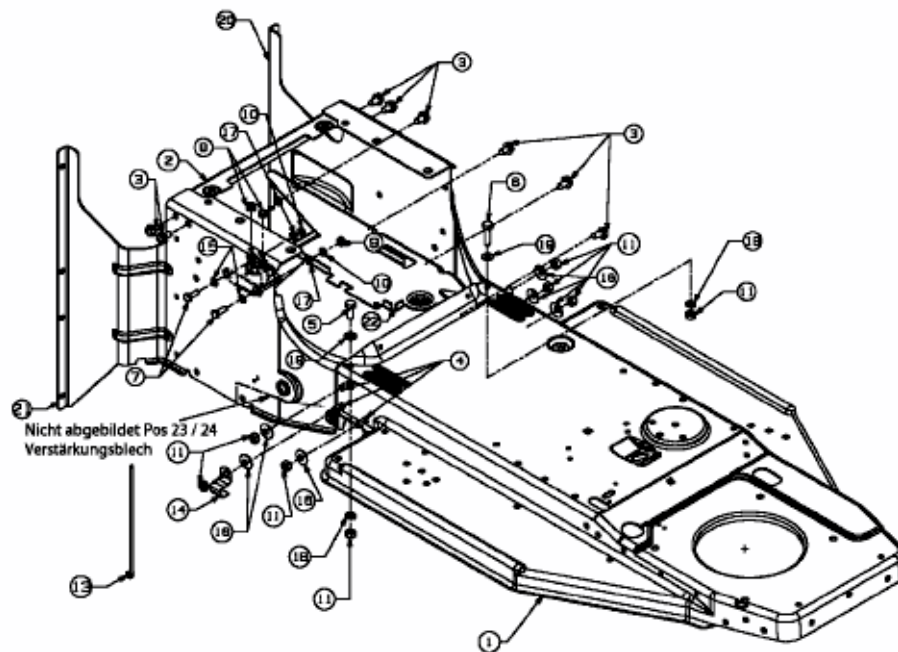


TE 4125 > 13DH473E643 (2005) > RAHMEN



E3-02095A-01