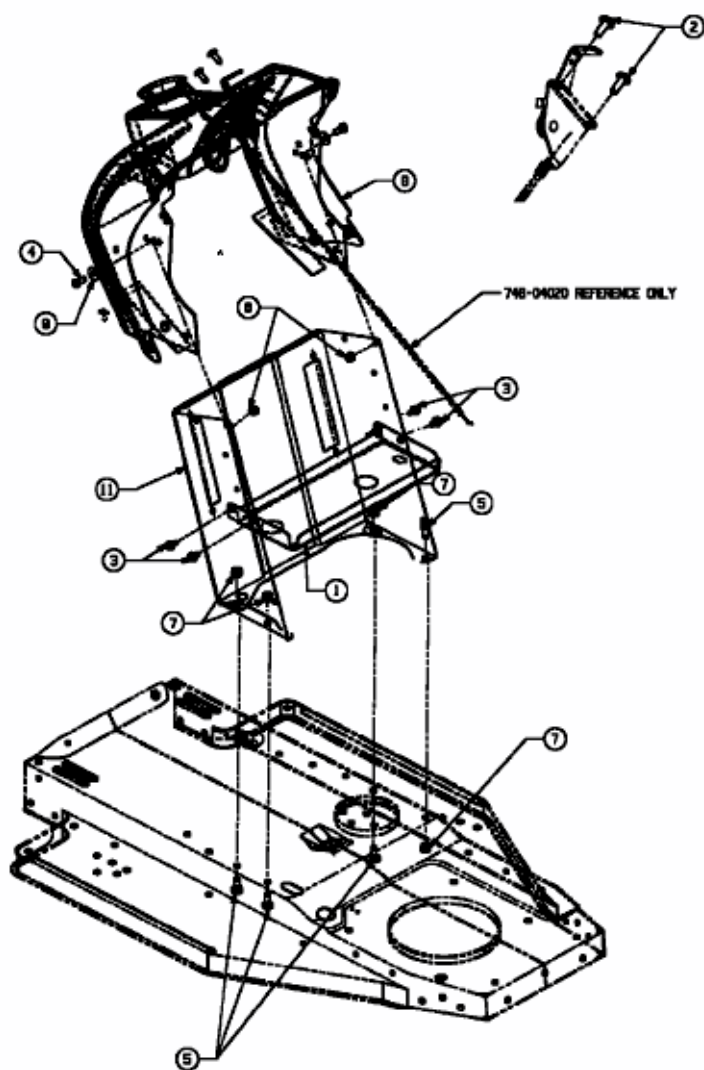


TE 4125 > 13DH473E643 (2005) > ARMATURENBRETT



E3-02142A-01