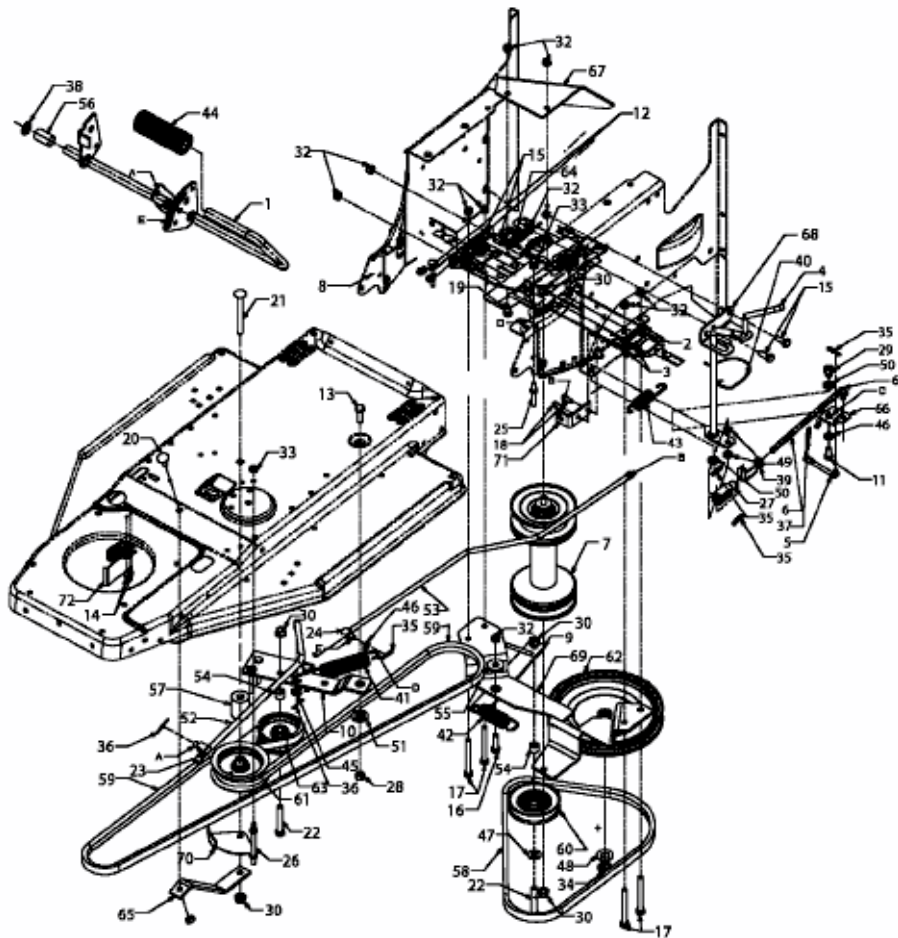


TE 4125 > 13DH473E643 (2005) > FAHRANTRIEB, PEDALE



E3-02100A-01