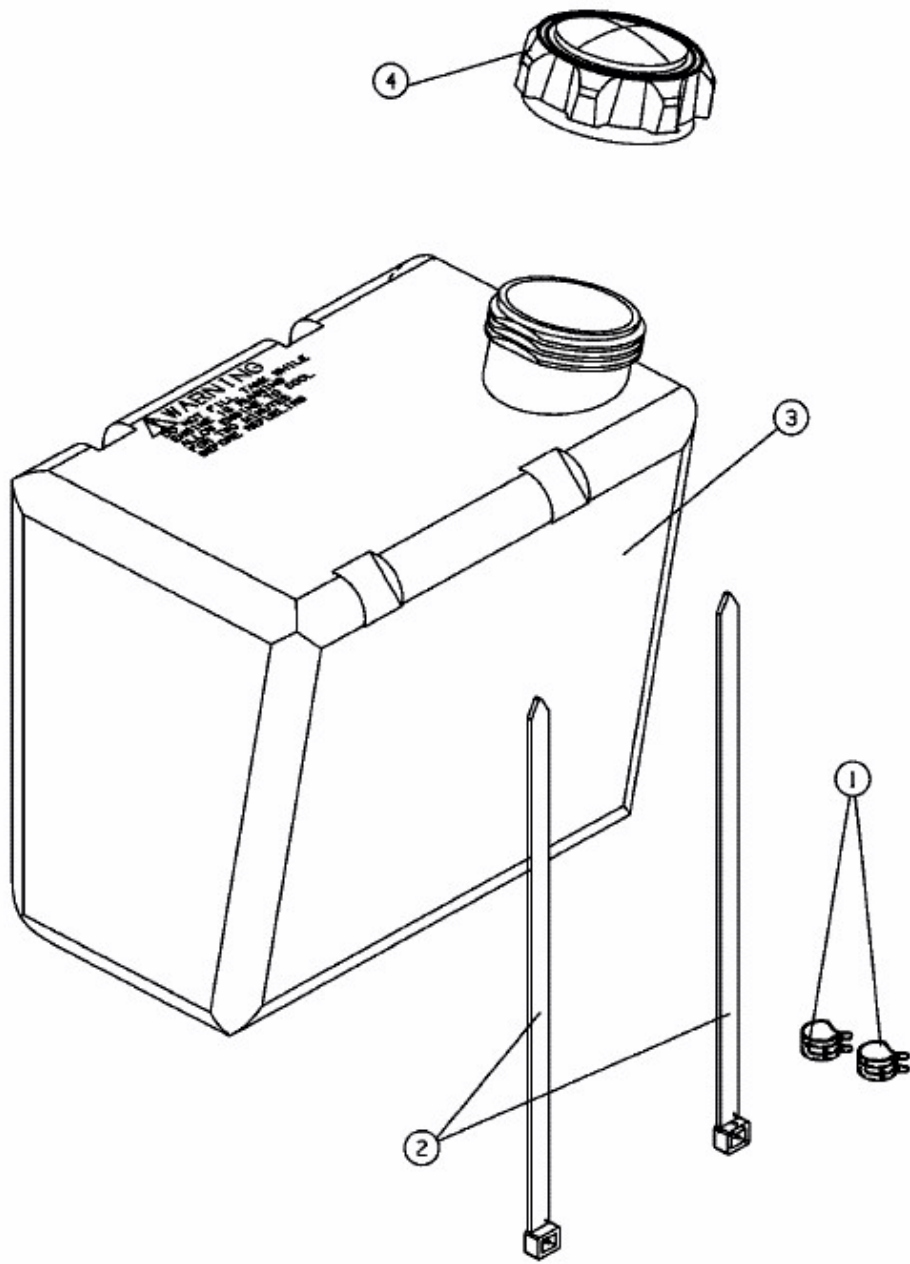


AT 100/06 > 13DH452F439 (2006) > TANK



E3-02129A-01