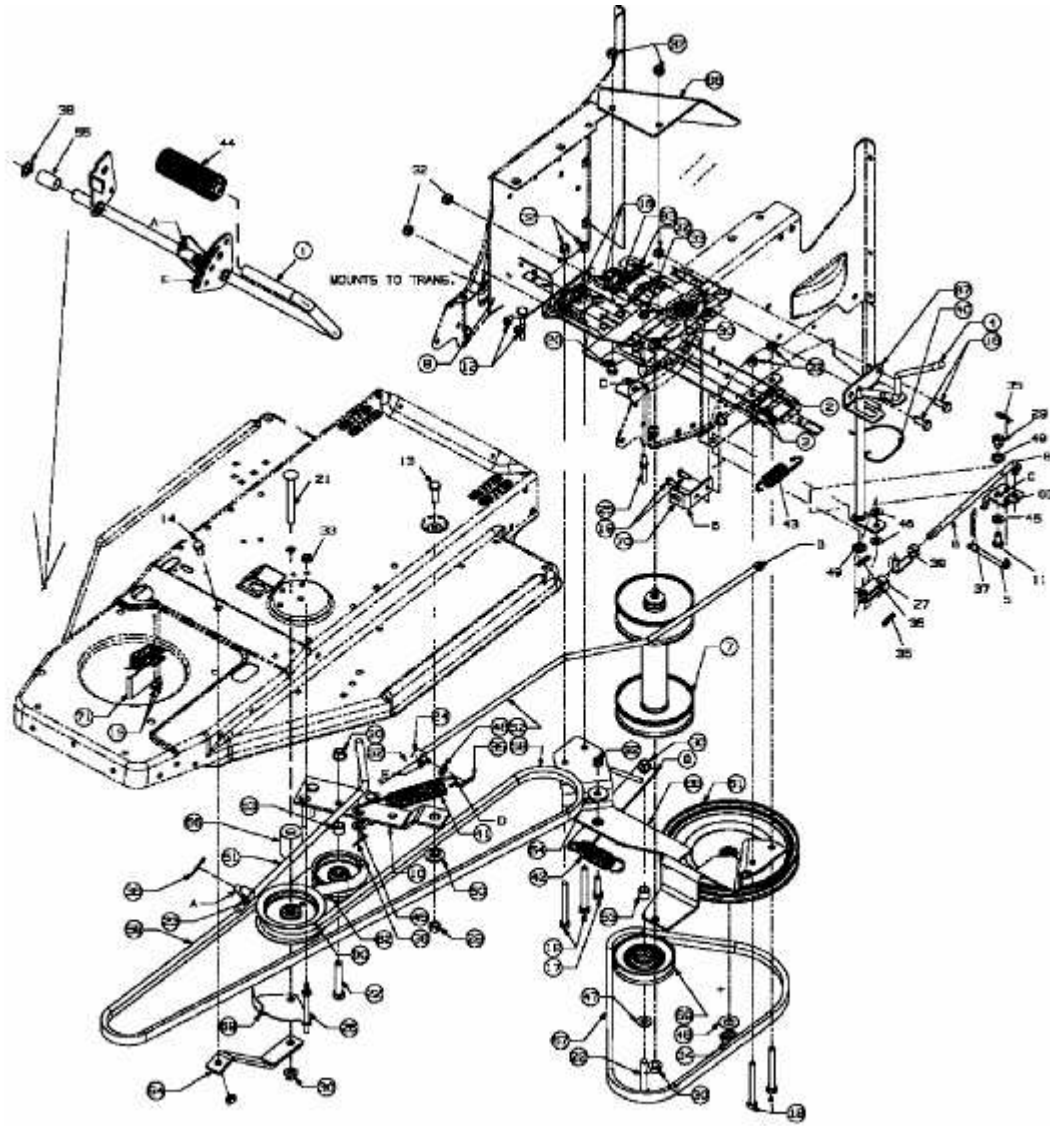


SPIDER 92 RD > 13DH452E676 (2008) > FAHRANTRIEB, PEDALE



E3-02100B-01