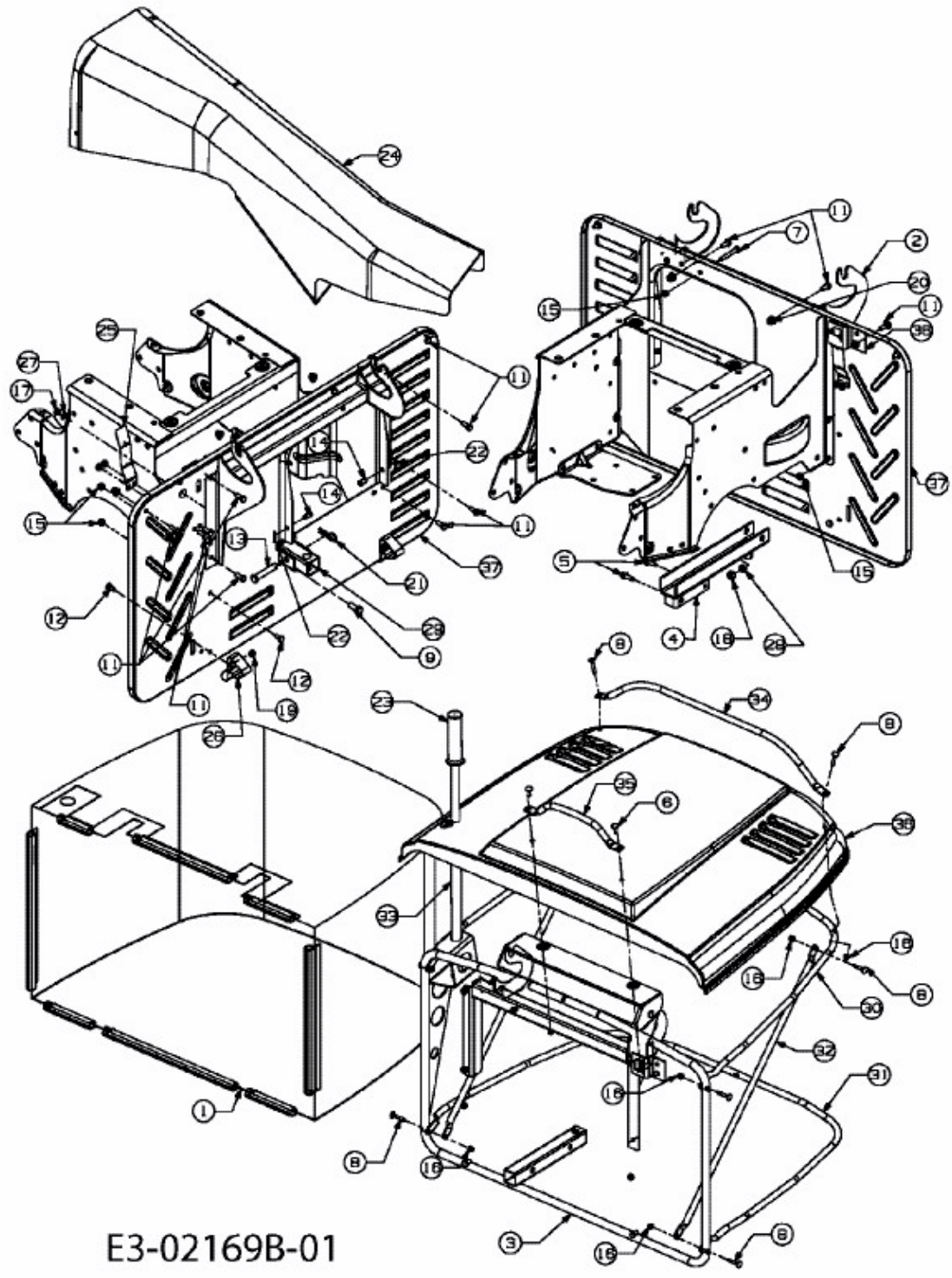


AT 512/06 > 13DH452E639 (2007) > GRASFANGEINRICHTUNG



E3-02169B-01