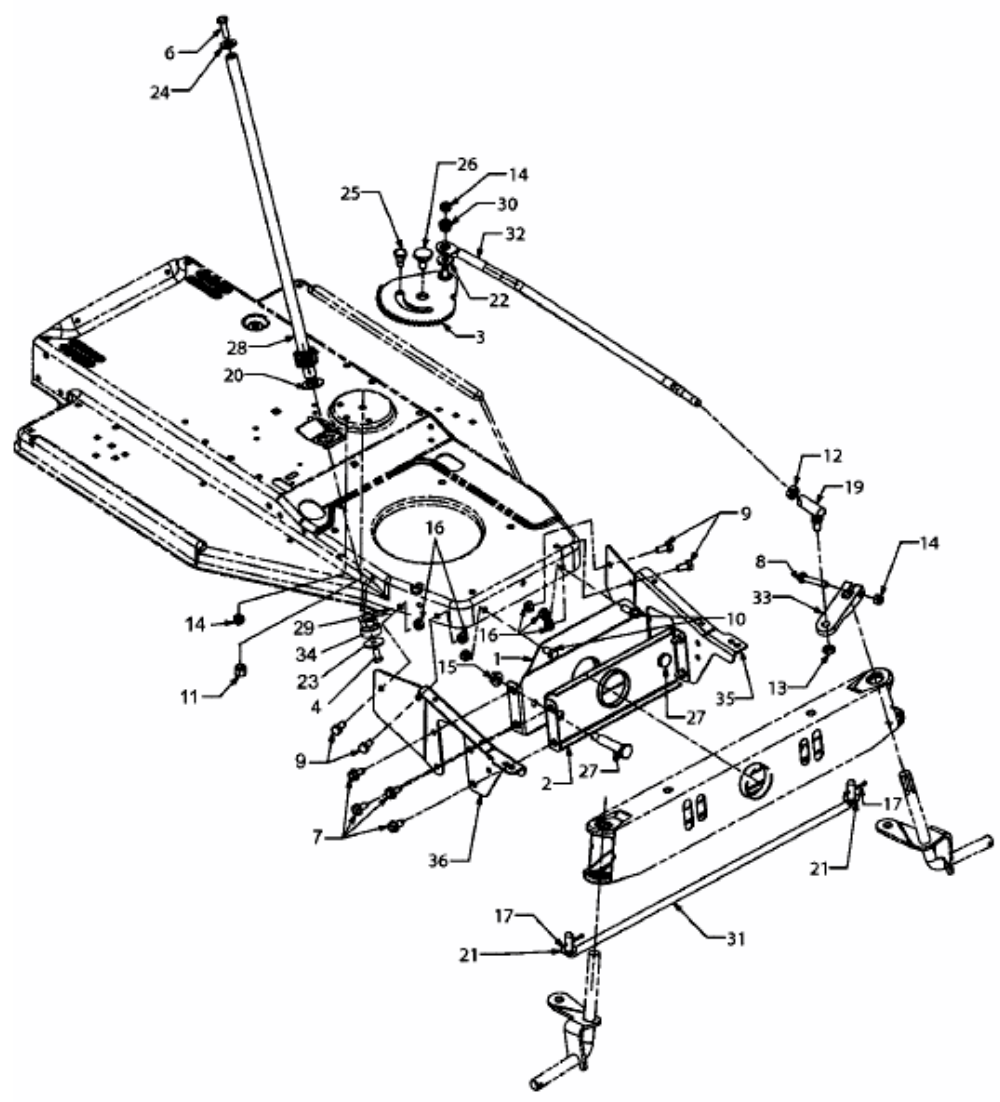


SPIDER 76 RD > 13DH452C676 (2008) > LENKUNG



E3-02105A-01