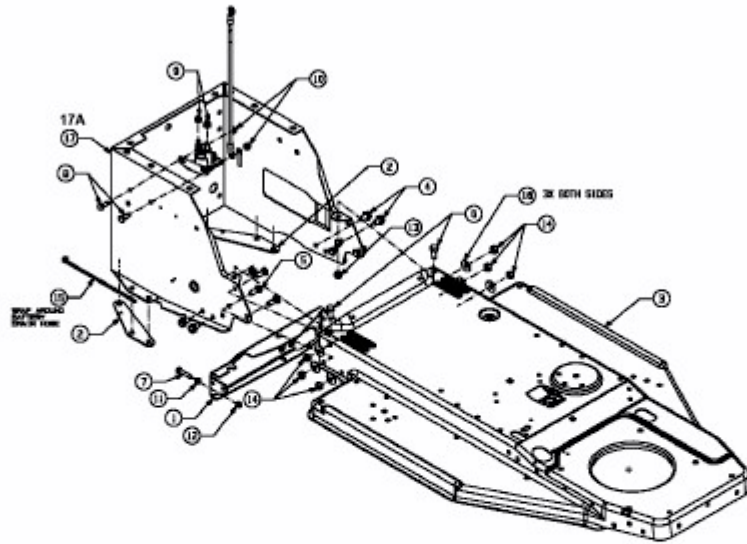


FORMULA 96 M > 13DC479F637 (2004) > RAHMEN



E3-02094A-01