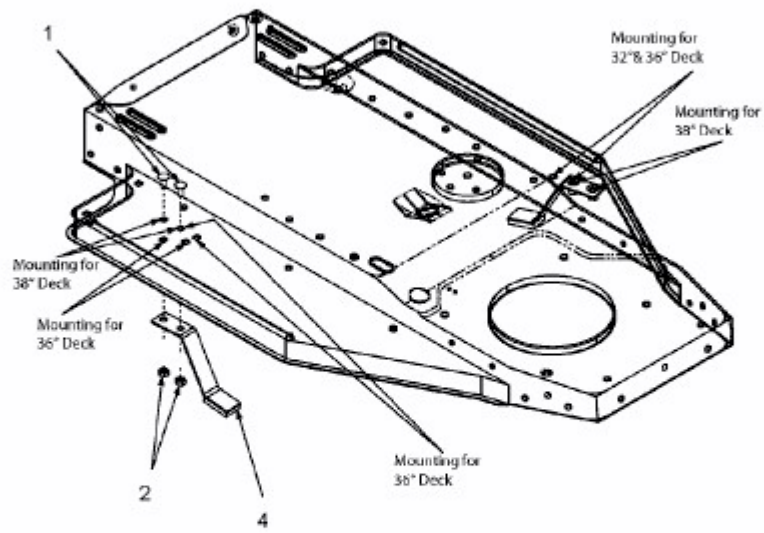


FORMULA 96 M > 13DC479F637 (2004) > MESSERBREMSE



E3-02162A-01