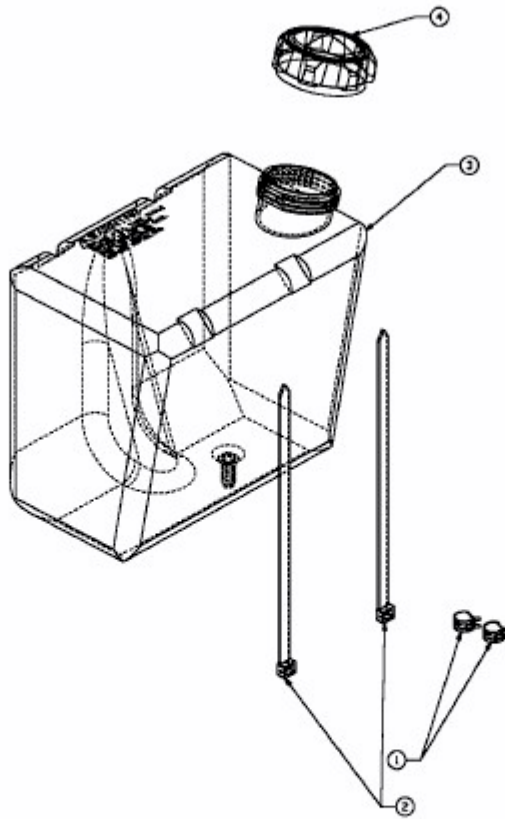


FORMULA 96 M > 13DC479F637 (2004) > TANK



E3-02131A-01