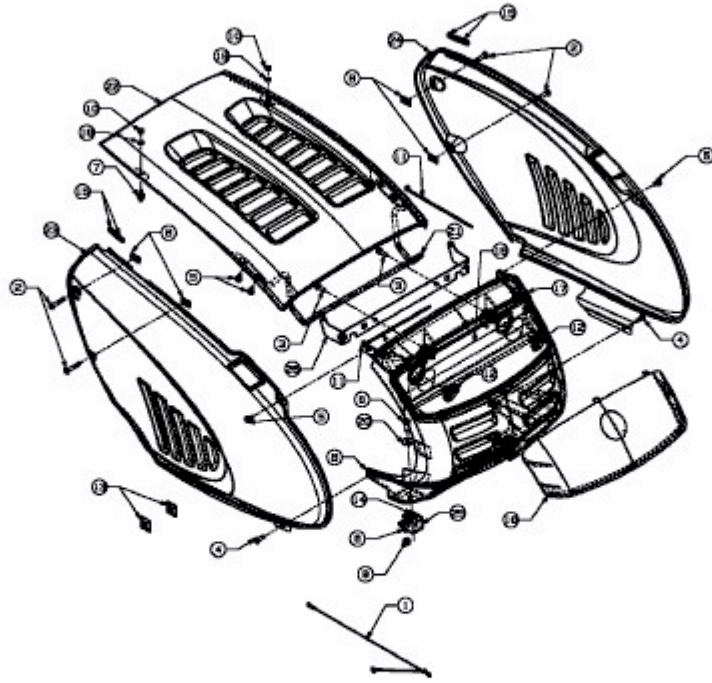


FORMULA 96 M > 13DC479F637 (2004) > MOTORHAUBE 9-STYLE



E3-02128A-01