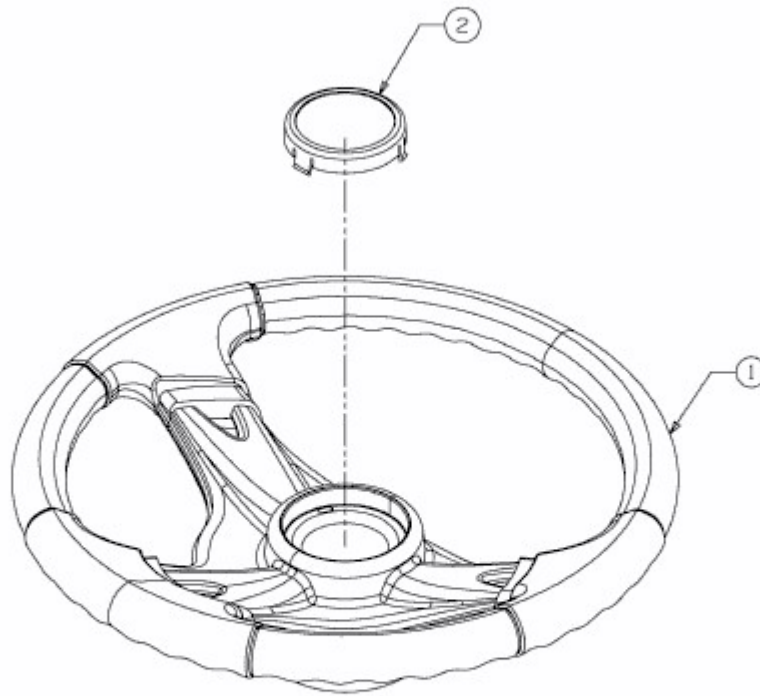


FORMULA 96 M > 13DC479F637 (2004) > LENKRAD



E3-02015A-01