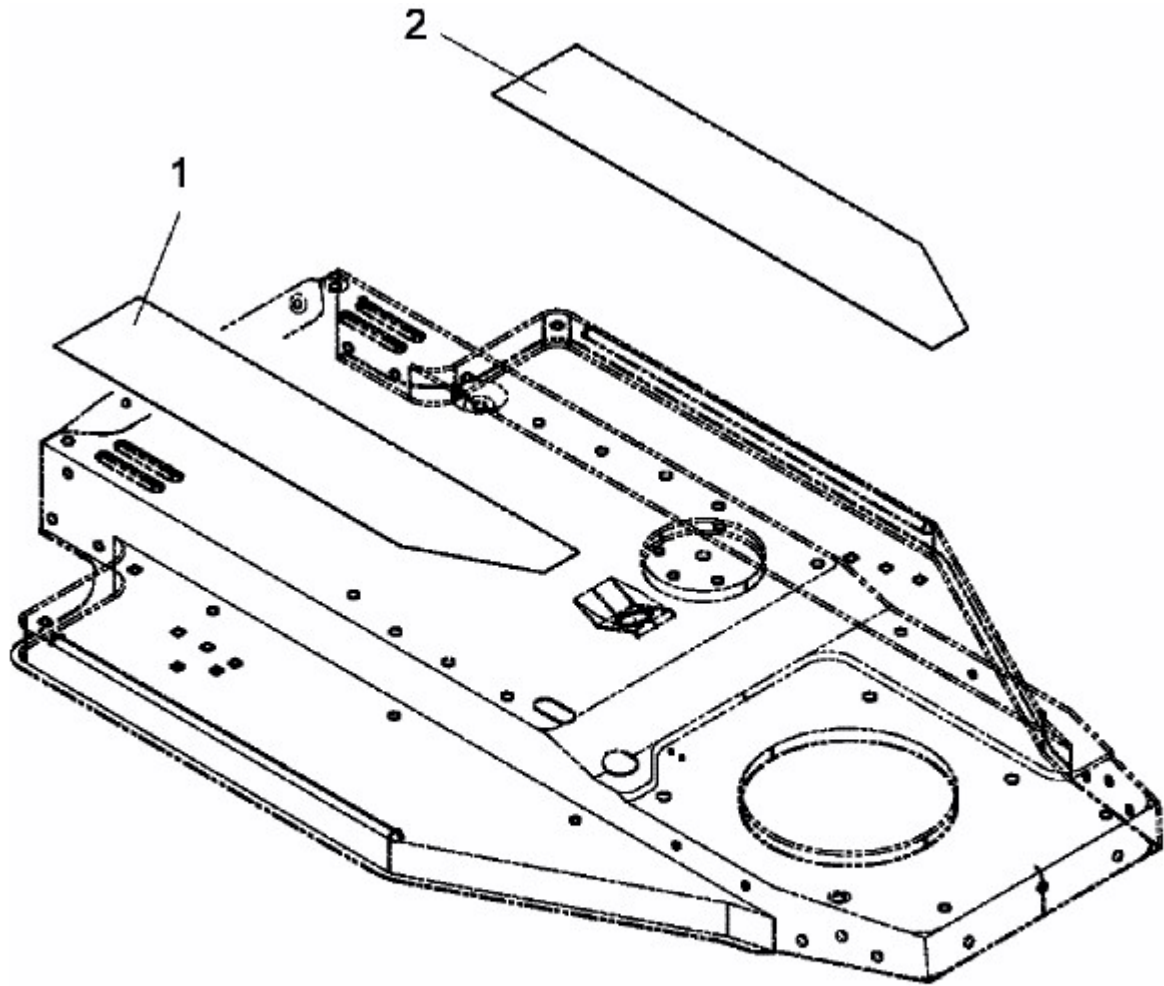


FORMULA 96 M > 13DC479F637 (2004) > TRITTBRETTBELAG



E3-02108A-01