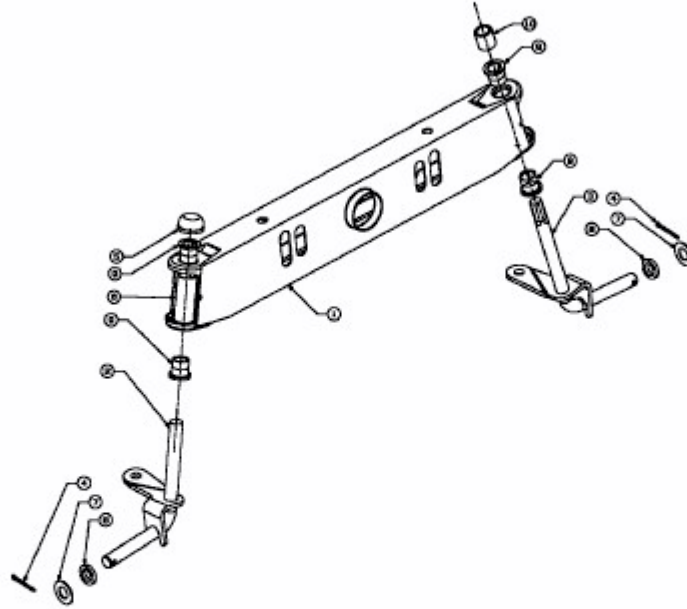


FORMULA 96 M > 13DC479F637 (2004) > VORDERACHSE



E3-02103A-01