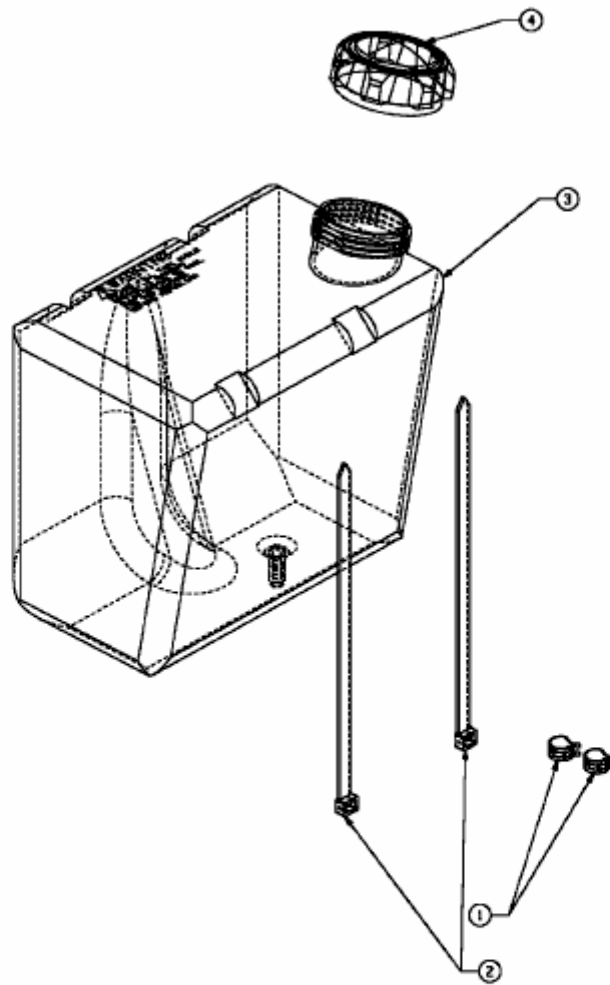


603 > 13DC479C611 (2004) > TANK



E3-02131A-01