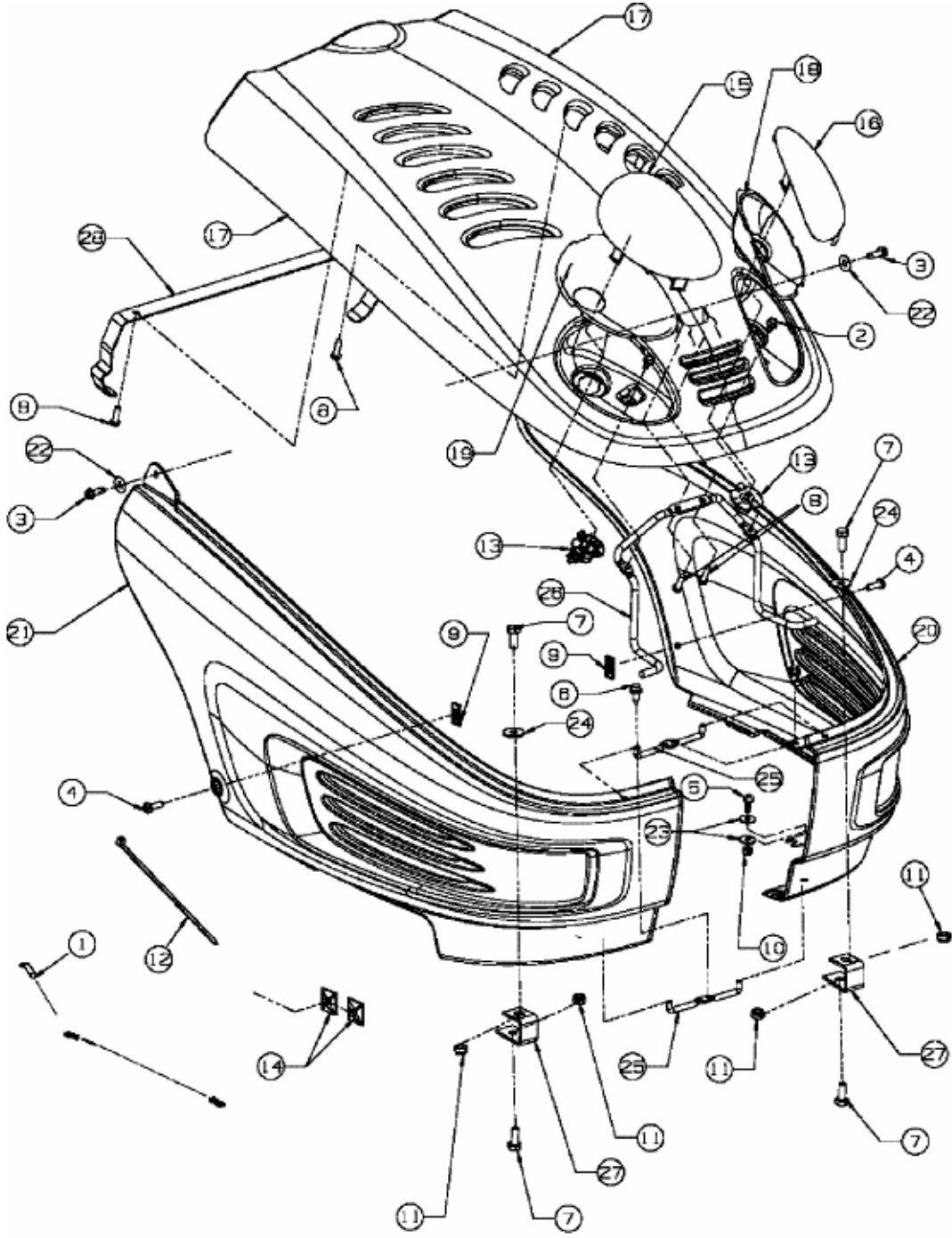


TA 4120 > 13DC474A643 (2004) > MOTORHAUBE 4-STYLE AB 27.09.2007



E3-02060B-01