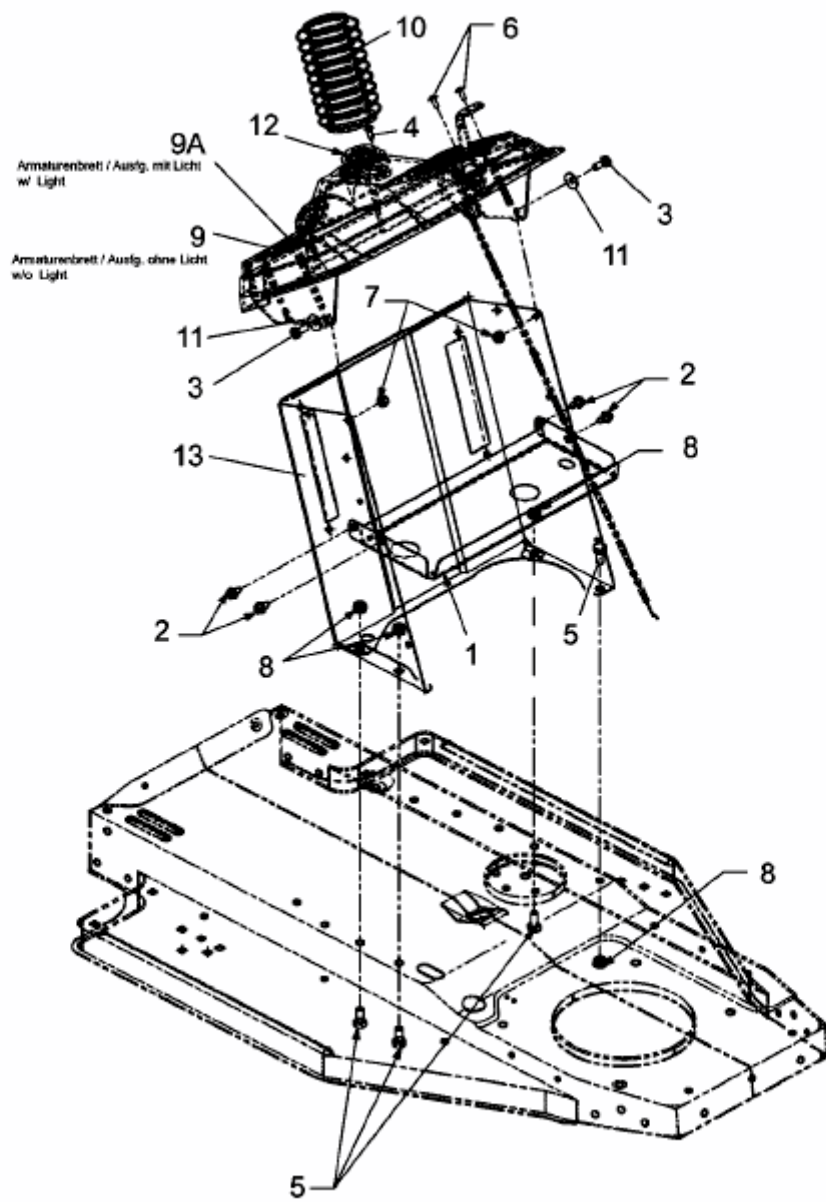


RH 155/92 T > 13D3452E600 (2004) > ARMATURENBRETT



E3-02134A-01