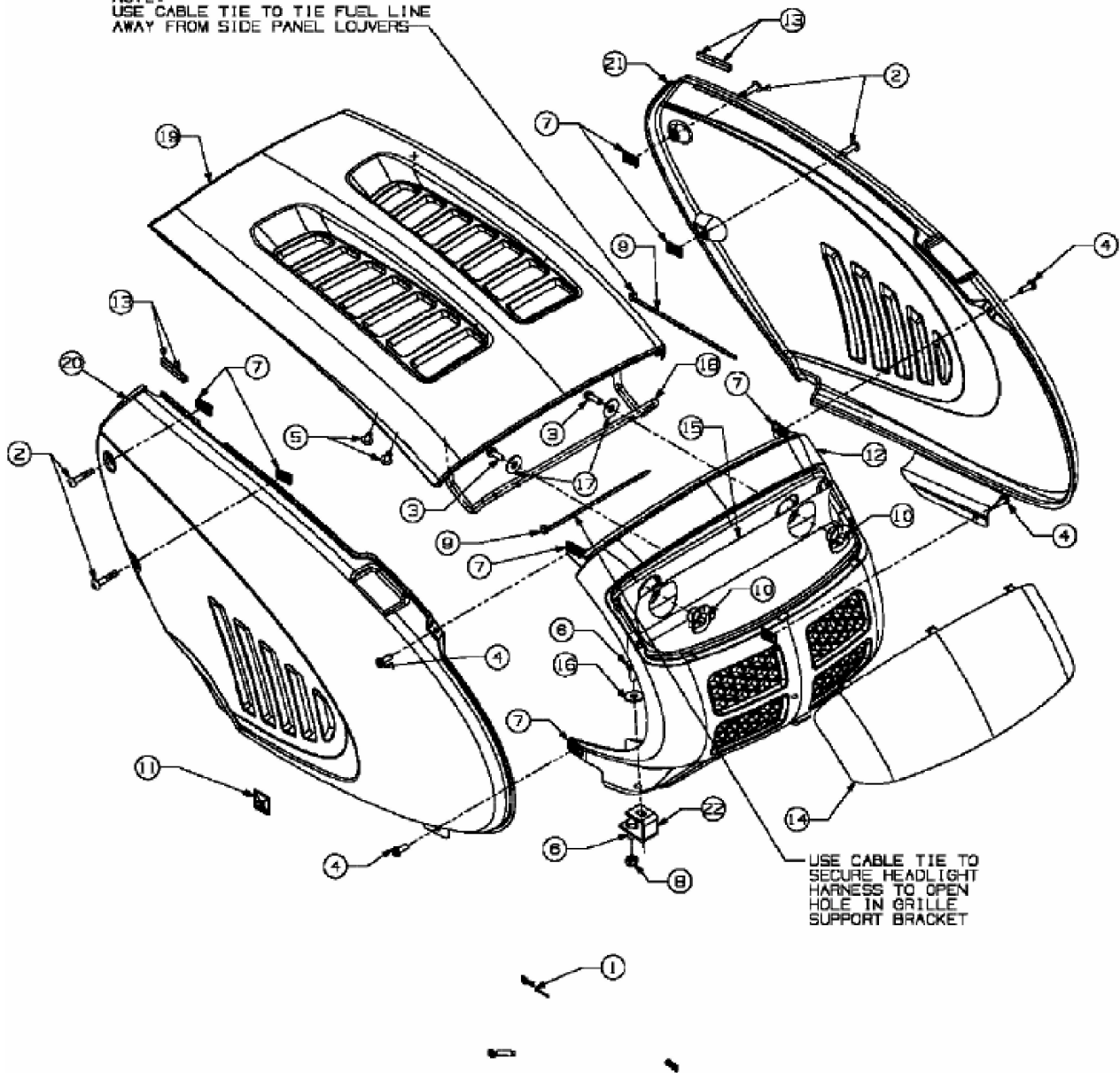


NOTE:  
USE CABLE TIE TO TIE FUEL LINE  
AWAY FROM SIDE PANEL LOUVERS



E3-02128B-01