

SPIDER 76 RDT > 13D1452C676 (2008) > ARMATURENBRETT

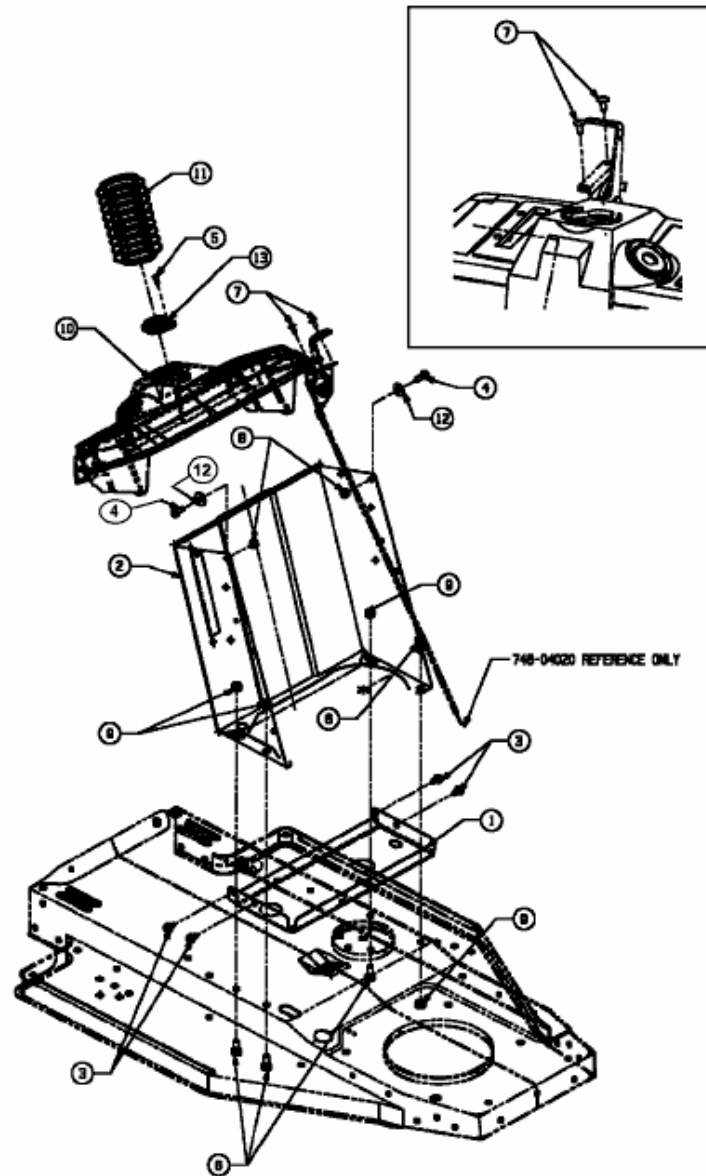


Fig.

E3-02135A-01