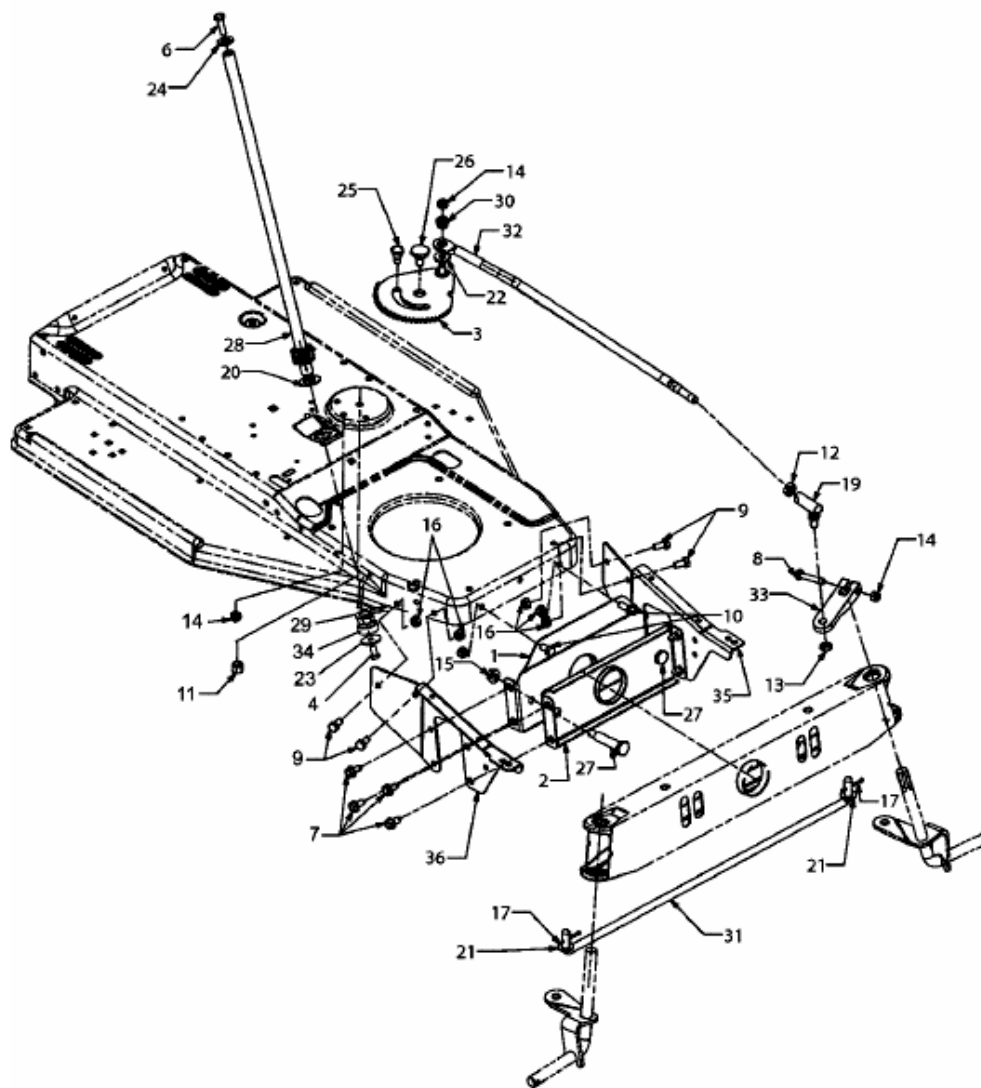


SPIDER 76 RDT > 13D1452C676 (2008) > LENKUNG



E3-02105A-01