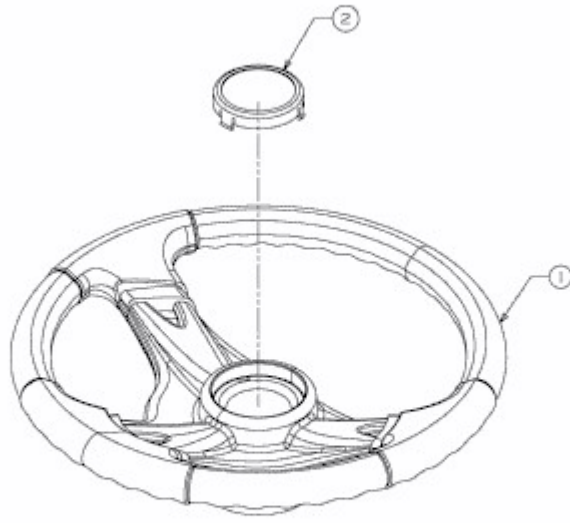


AMH 1200 > 13D1452C619 (2005) > LENKRAD



E3-02015A-01