

RH 115/76 > 13D1452C600 (2007) > ARMATURENBRETT

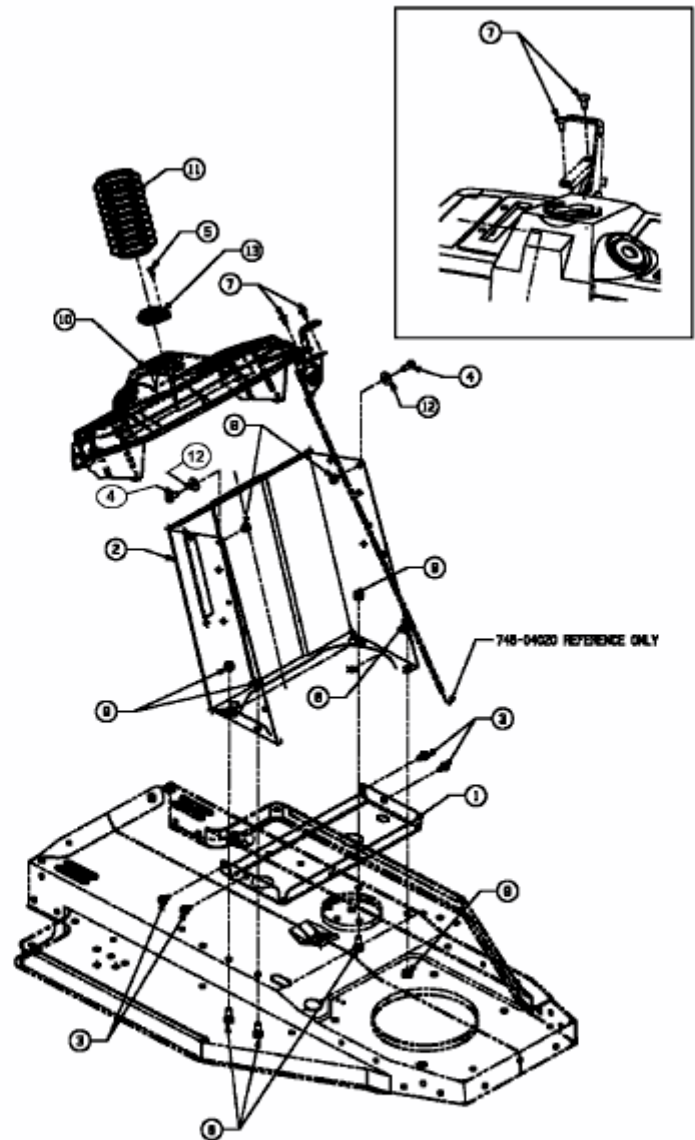


Fig.

E3-02135A-01