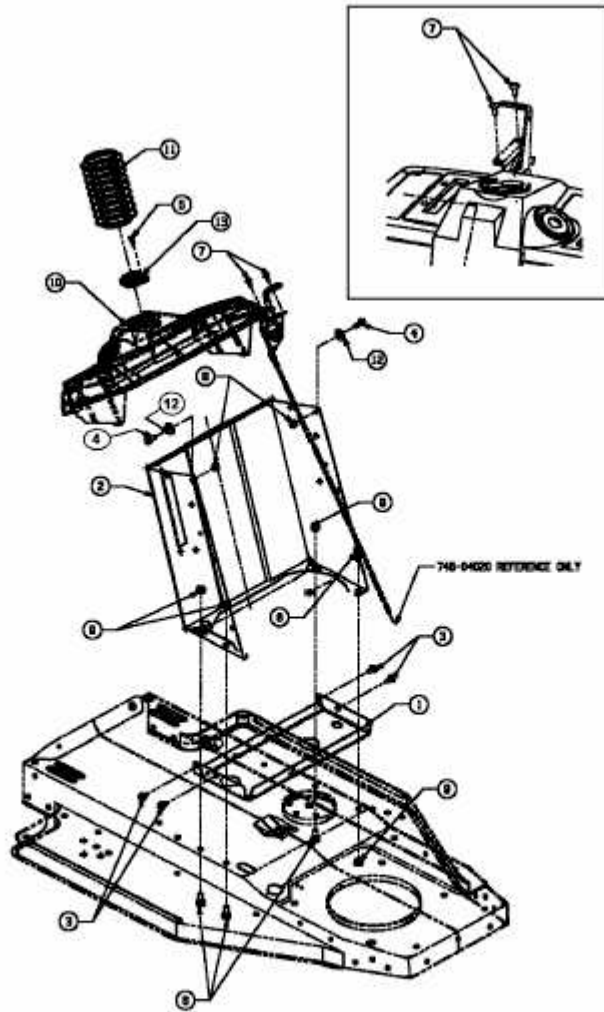


RH 115/76 > 13D1452C400 (2007) > ARMATURENBRETT



Fig

E3-02135A-01