

13D1452B620 (2007) > ARMATURENBRETT

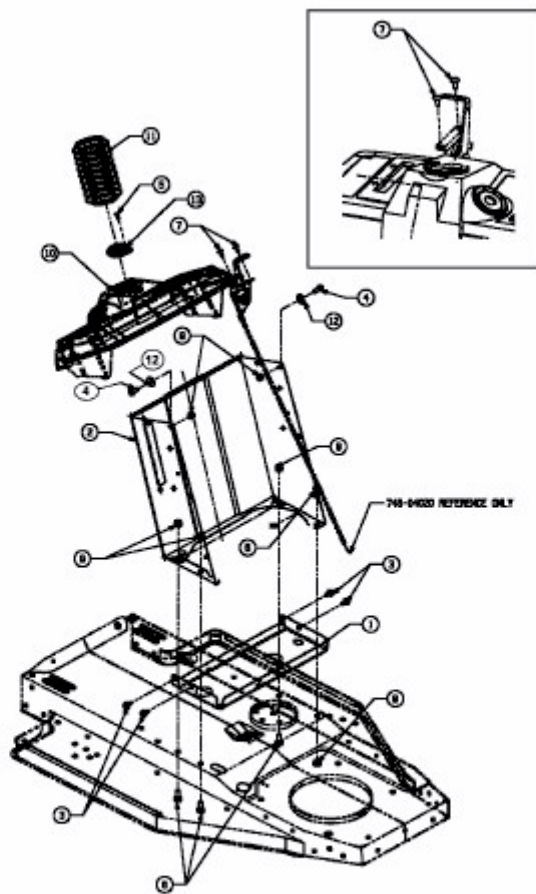


Fig.

E3-02135A-01