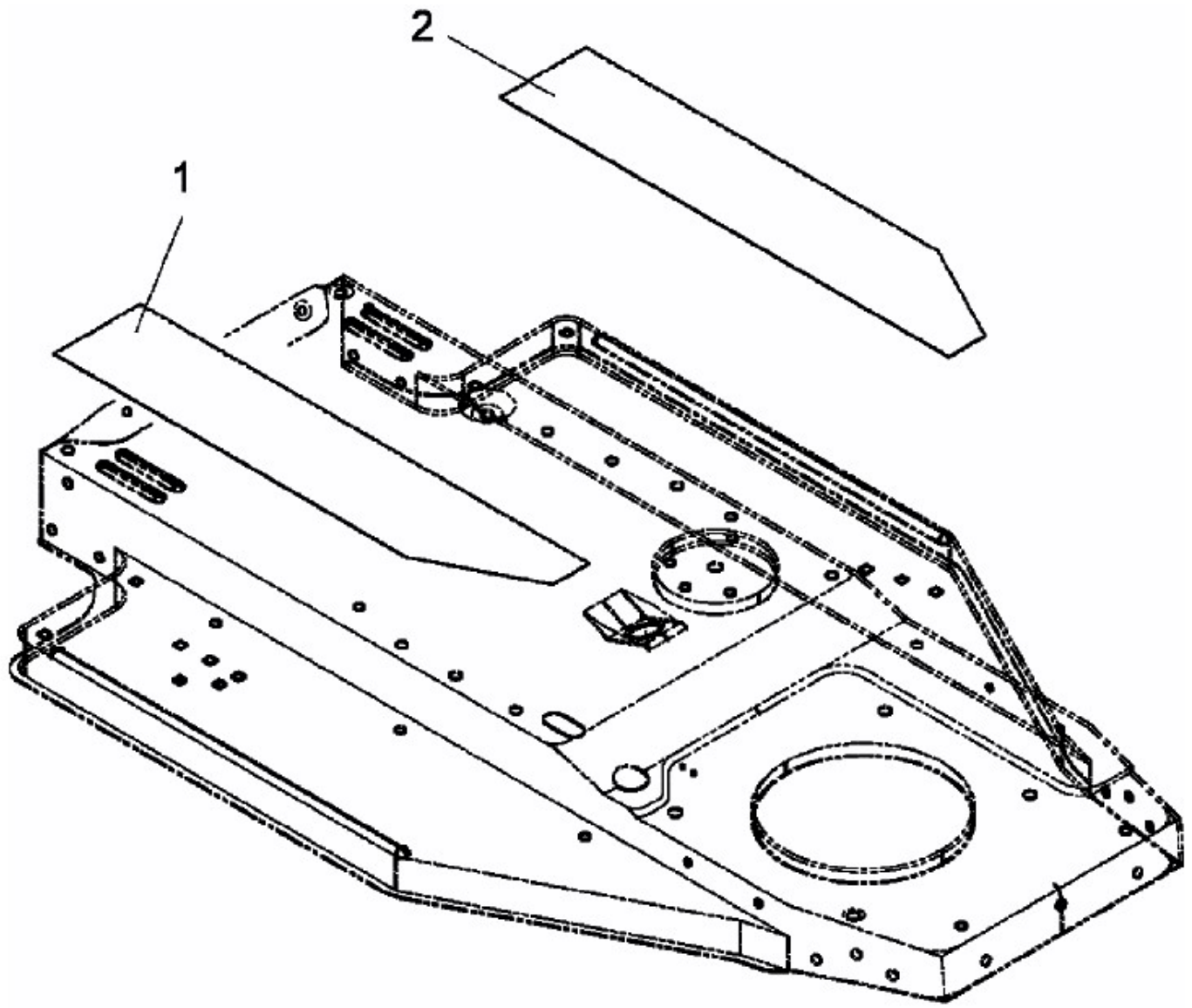


91-12 > 13D1452B620 (2007) > TRITTBRETTBELAG



E3-02108A-01