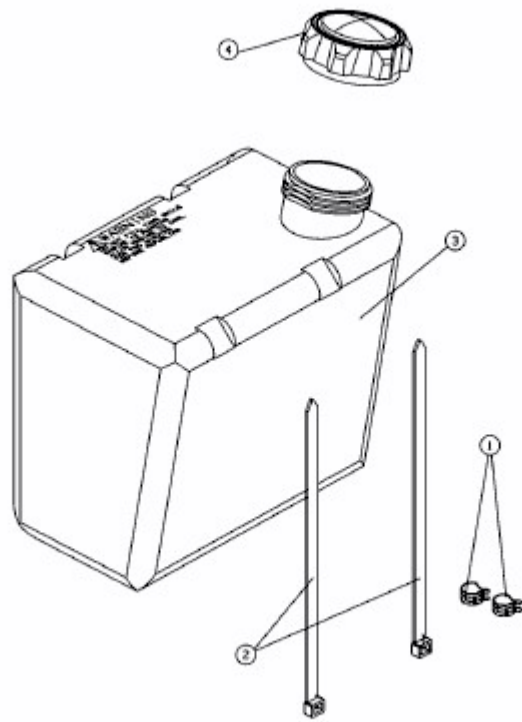


AM 1150 > 13D1452B619 (2005) > TANK



E3-02129A-01