

SPIDER 91 S > 13D1452B600 (2006) > ARMATURENBRETT

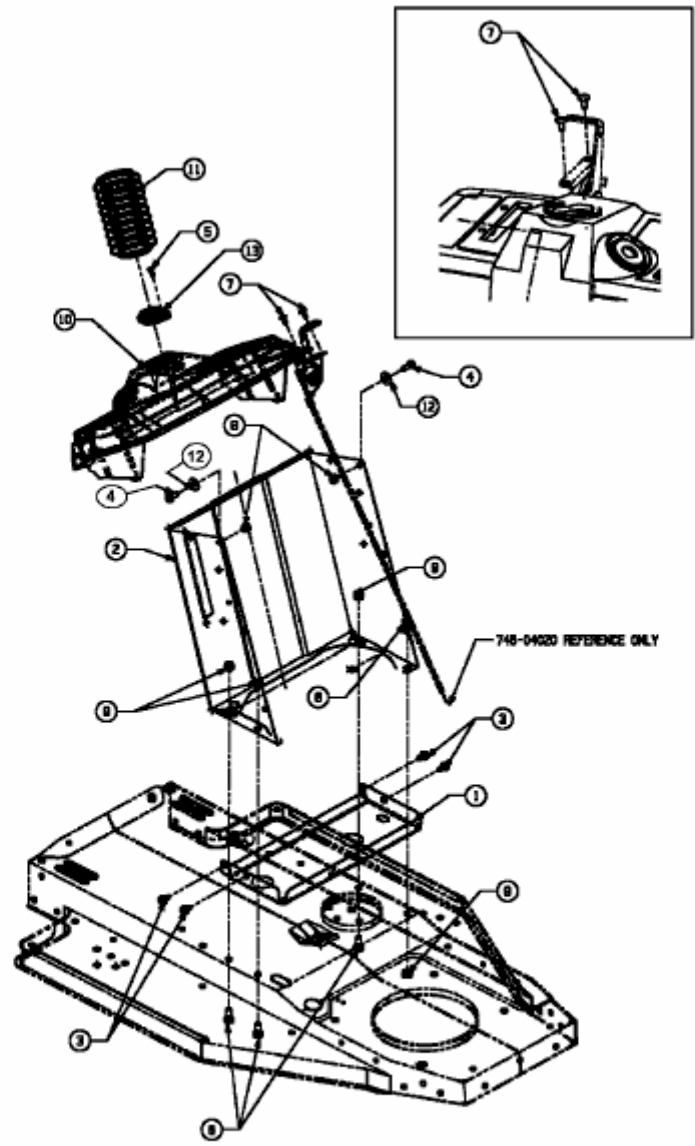


Fig.

E3-02135A-01