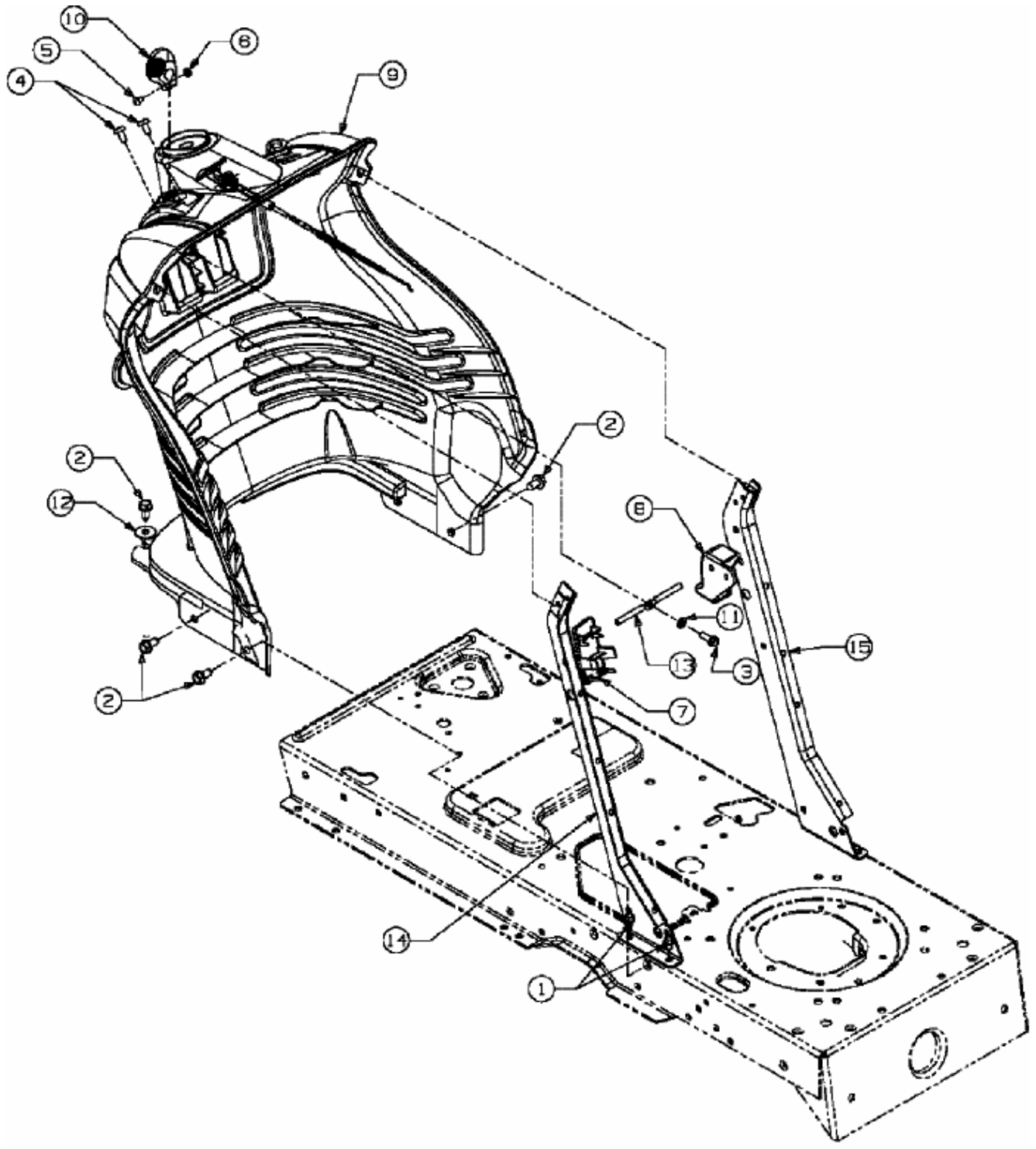


GLX 105 RH > 13CX516N690 (2008) > ARMATURENBRETT



E3-02067B-01