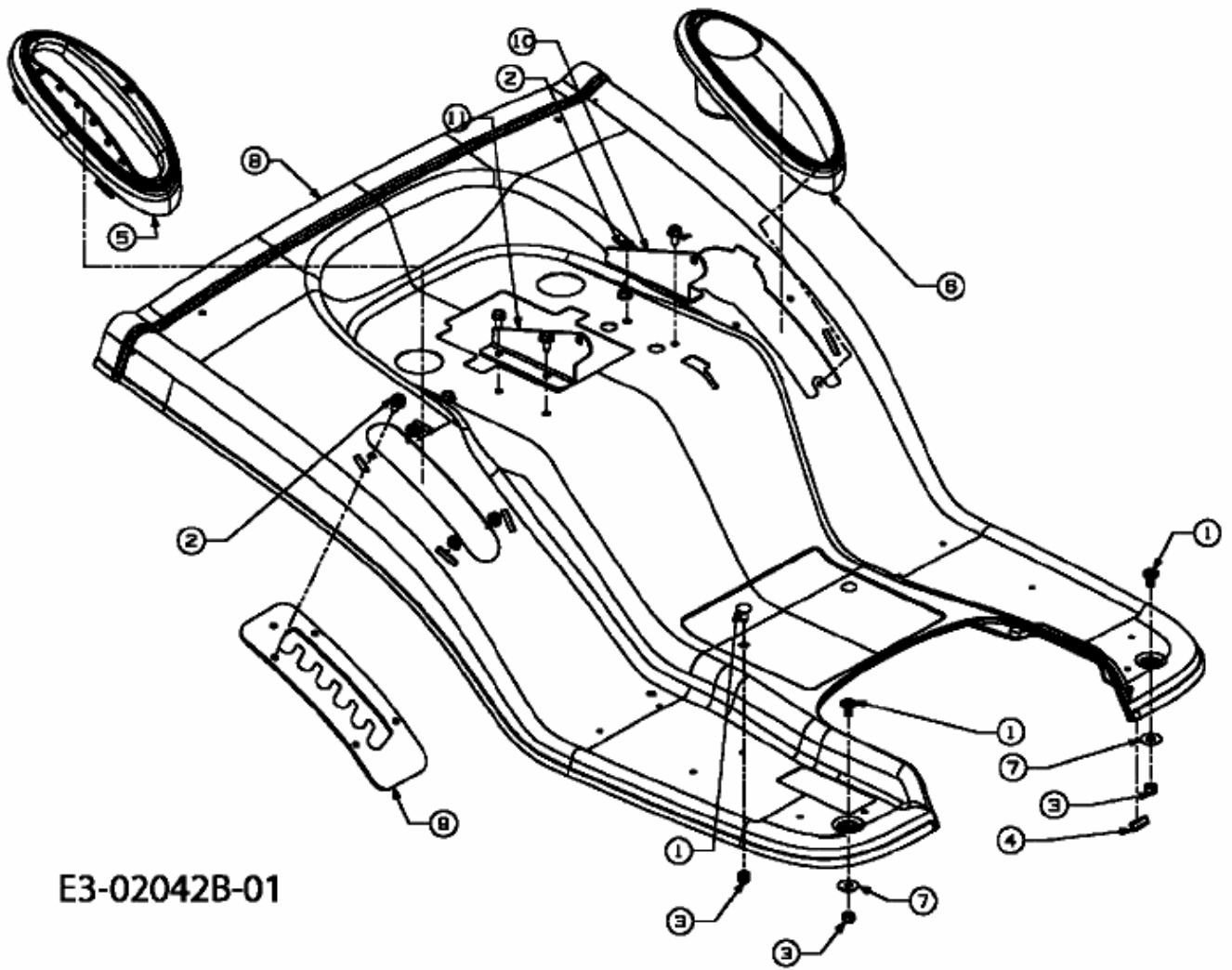


GLX 105 RH > 13CX516N690 (2008) > SITZWANNE



E3-02042B-01